

LOBBY ENTRY



ENTRY RENOVATION - CAFE SIGN



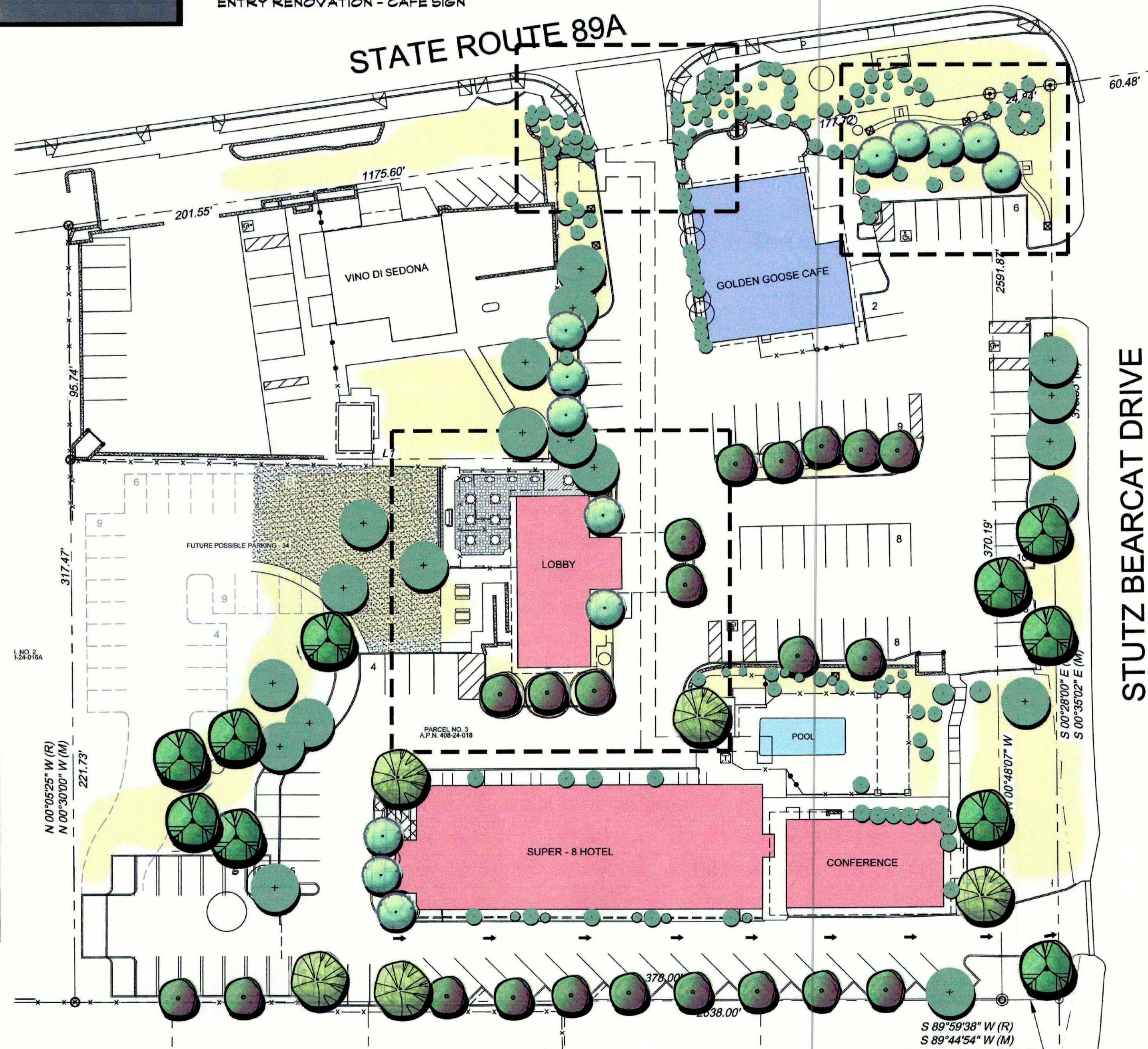
ENTRY RENOVATION - ANDANTE SIGN



ENTRY MONUMENT



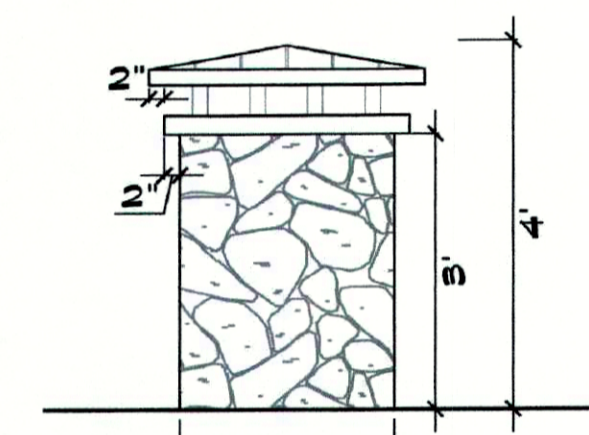
LOBBY ENTRY PLANTER



GABION WALL



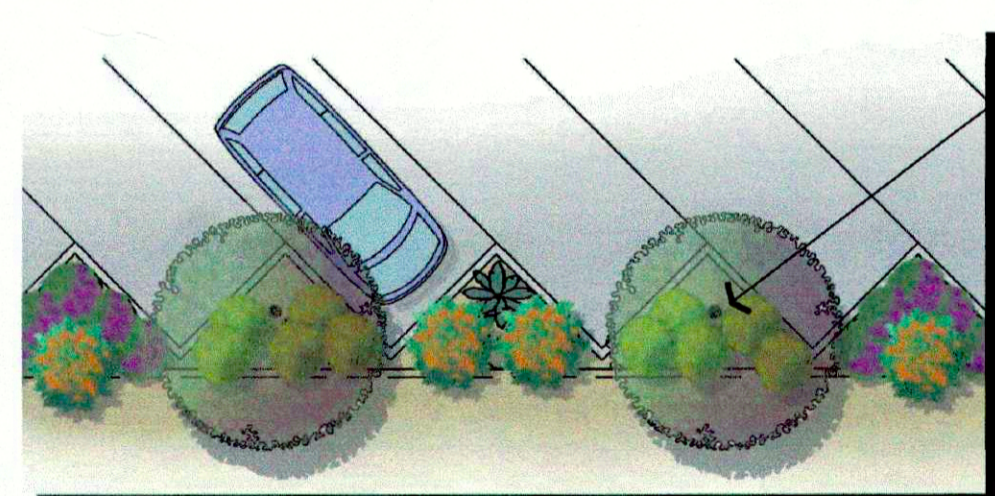
RED STONE COLUMN



ENTRY COLUMN W/INTERNAL LIGHTING



DAMIANITA DAISY



PROPOSED BOLLARD LOCATION AT TREES

BACK PARKING LOT



SOAPTREE YUCCA



RUSSIAN SAGE

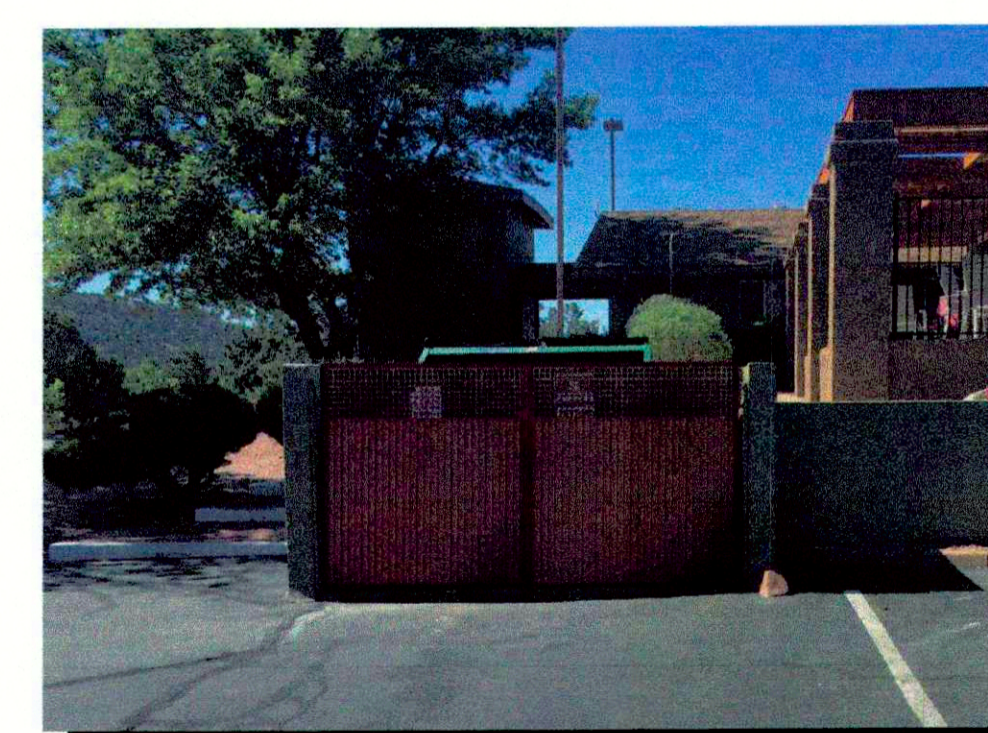


PURPLE LEAF PLUM

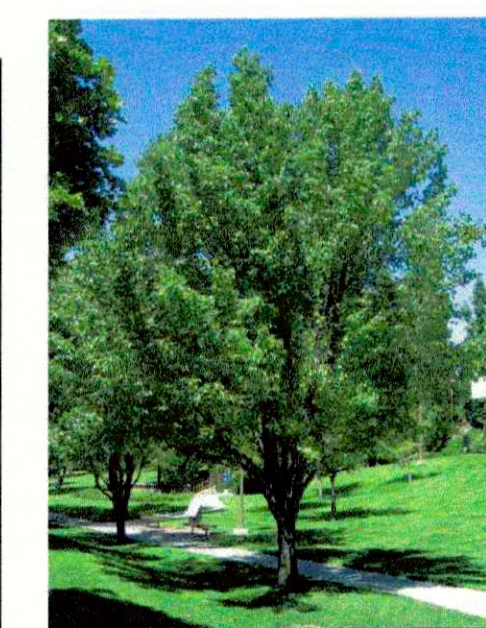


BARBERRY

STUTZ BEARCAT DRIVE



TRASH ENCLOSURE



BRADFORD PEAR



ROSE BUSH



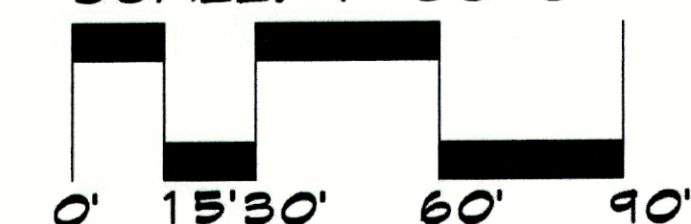
PHOTINIA

# ANDANTE INN - SEDONA

CONCEPTUAL MASTER PLAN

2545 STATE ROUTE 89A  
MAY 18, 2016

SCALE: 1"=30'-0"



NORTH

