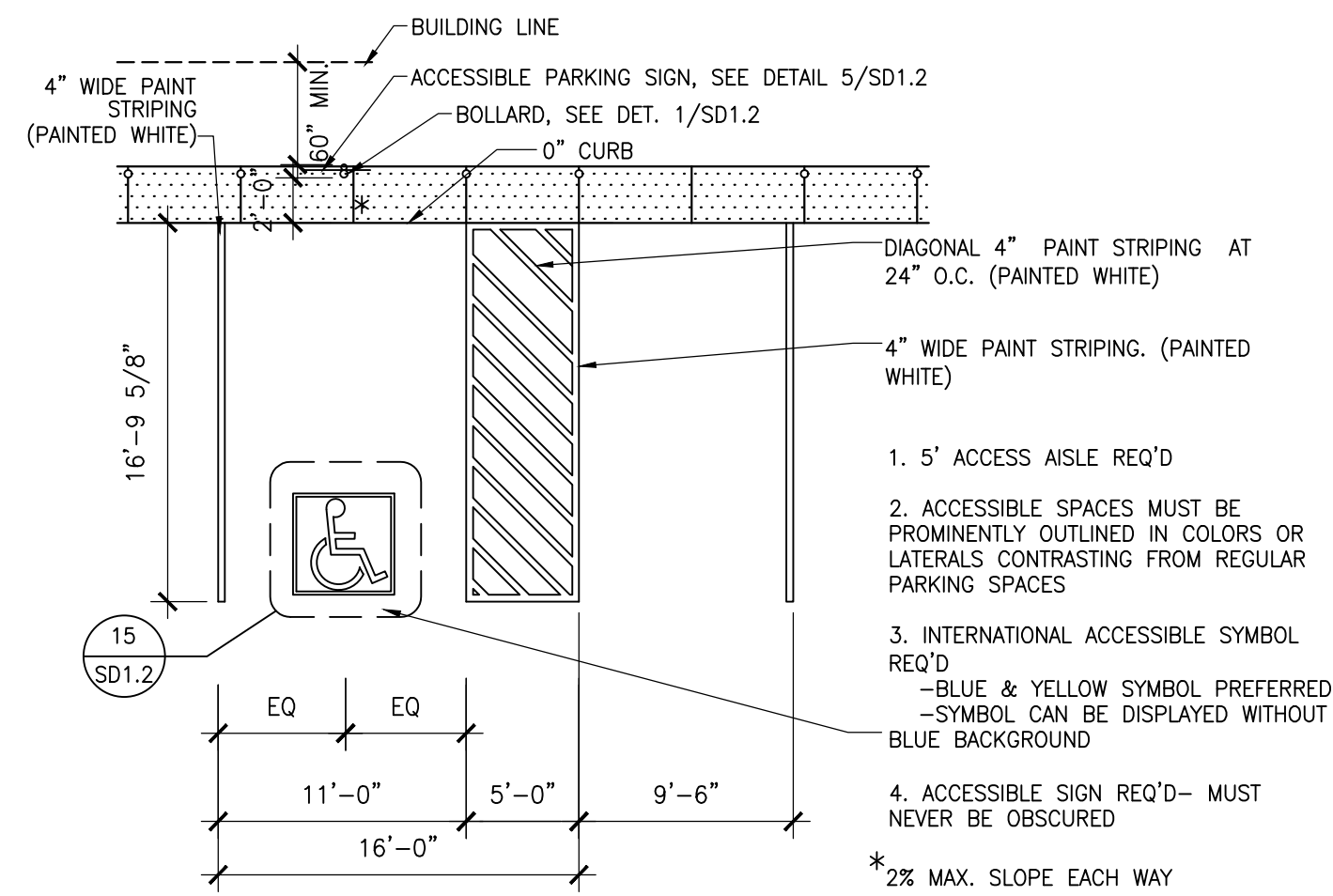
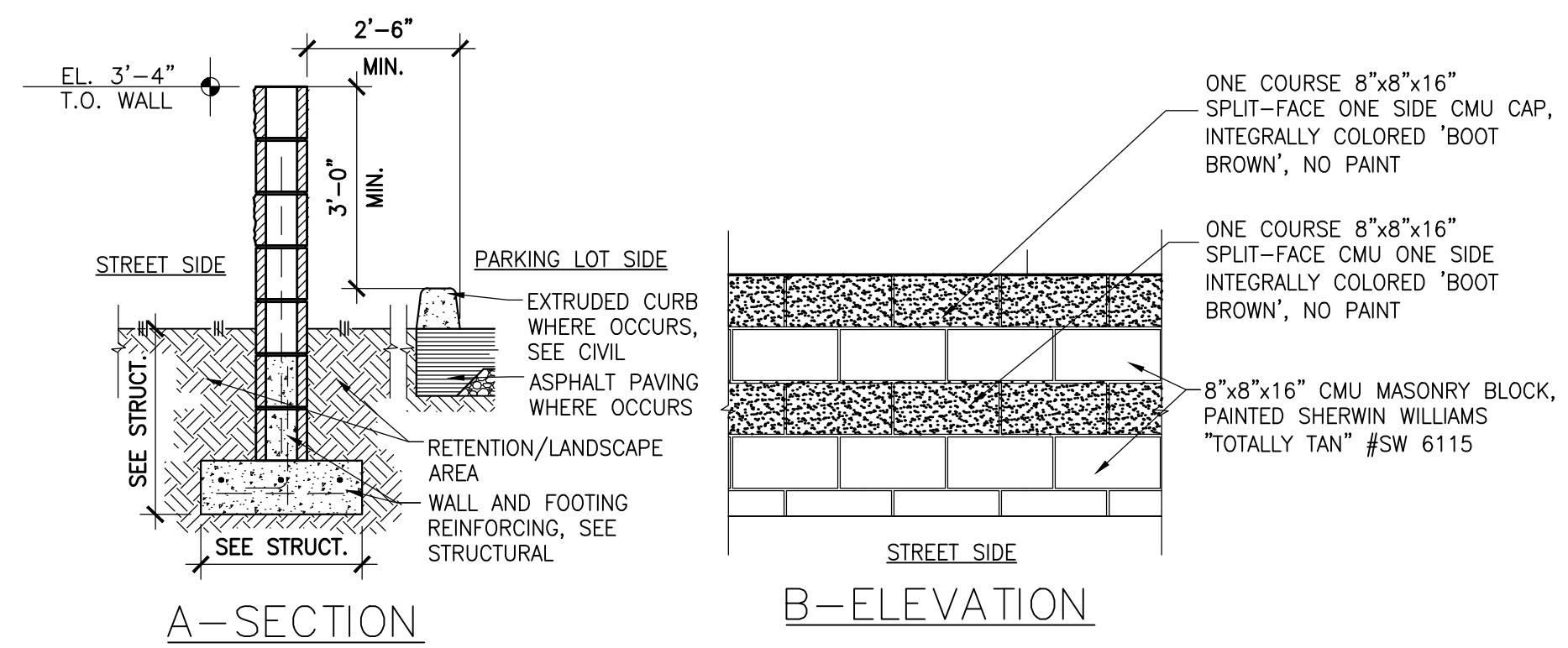


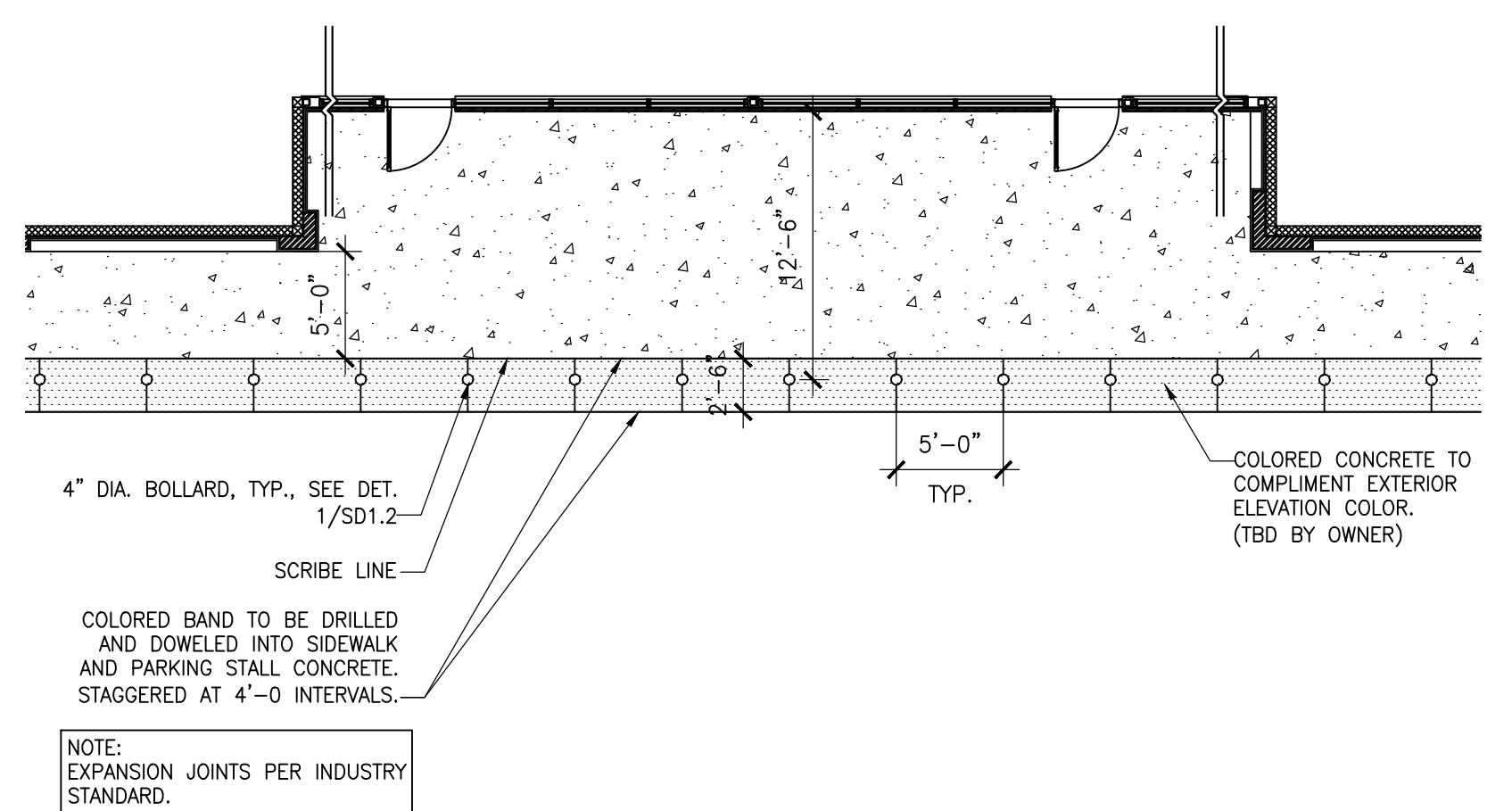
15 ACCESSIBLE PARKING SYMBOL
1/2"=1'-0"



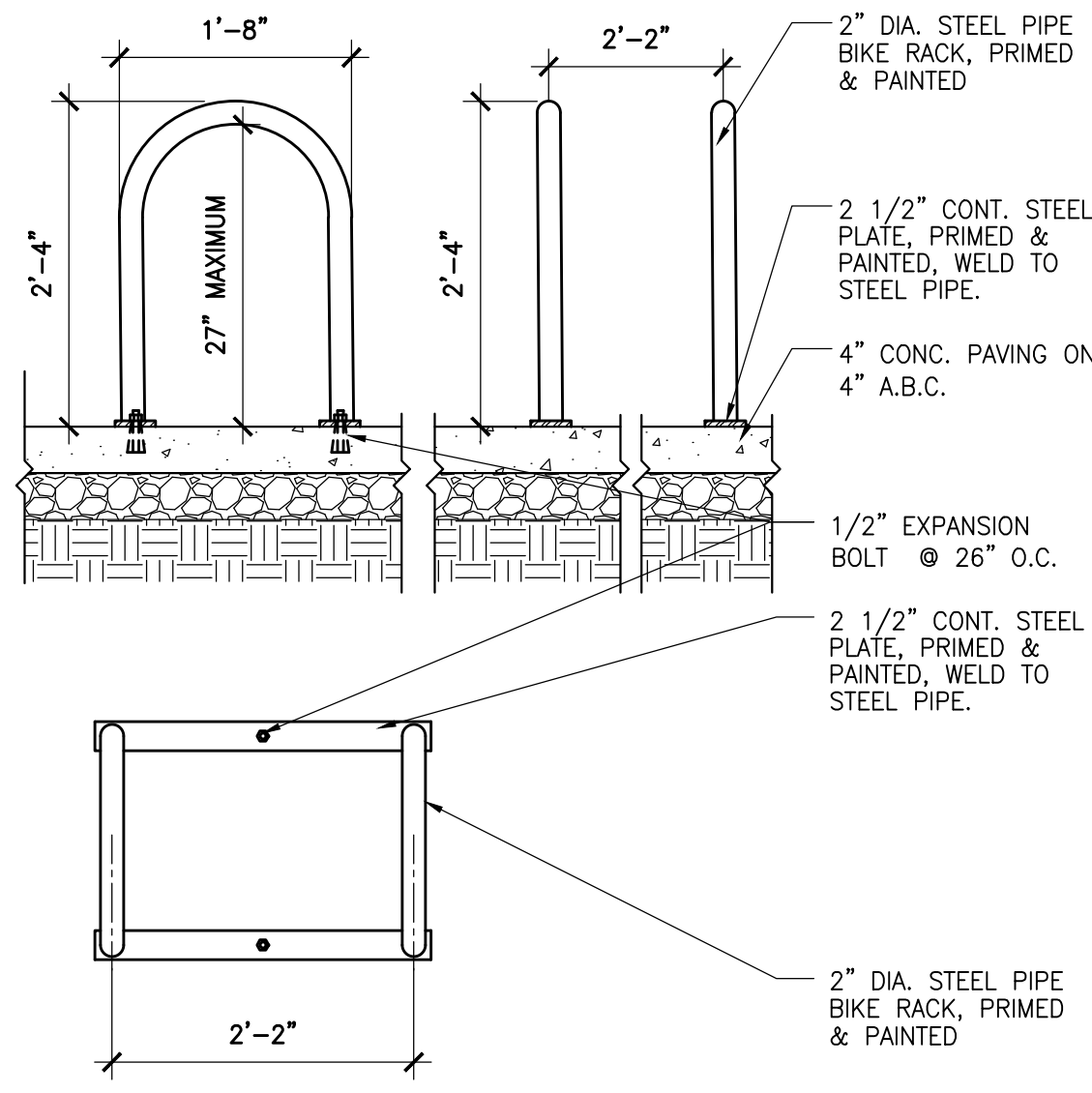
12 ACCESSIBLE PARKING STALL
1/8"=1'-0"



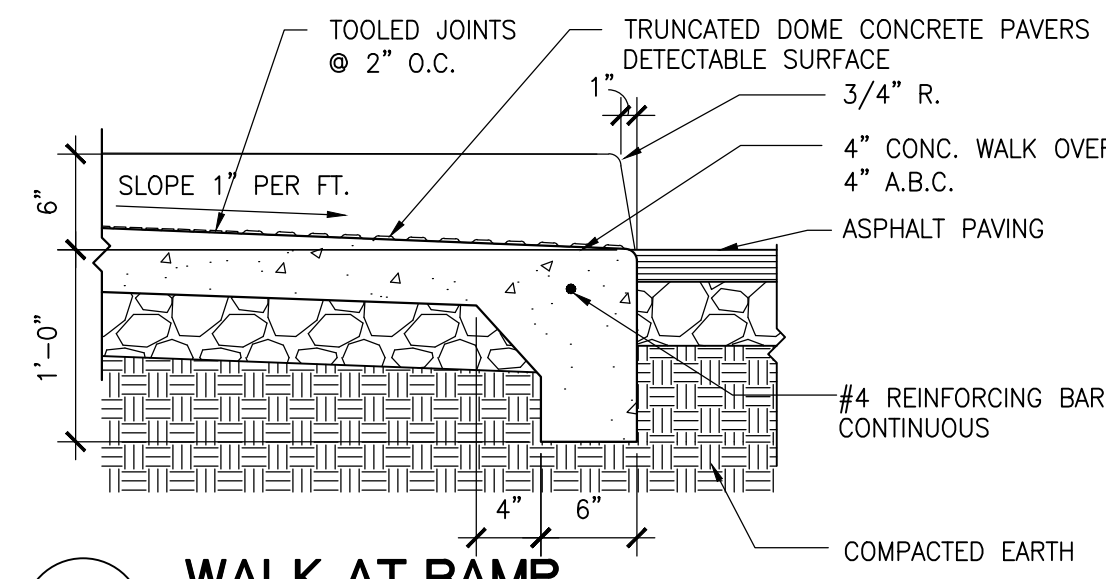
7 SCREEN WALL
1/2"=1'-0"



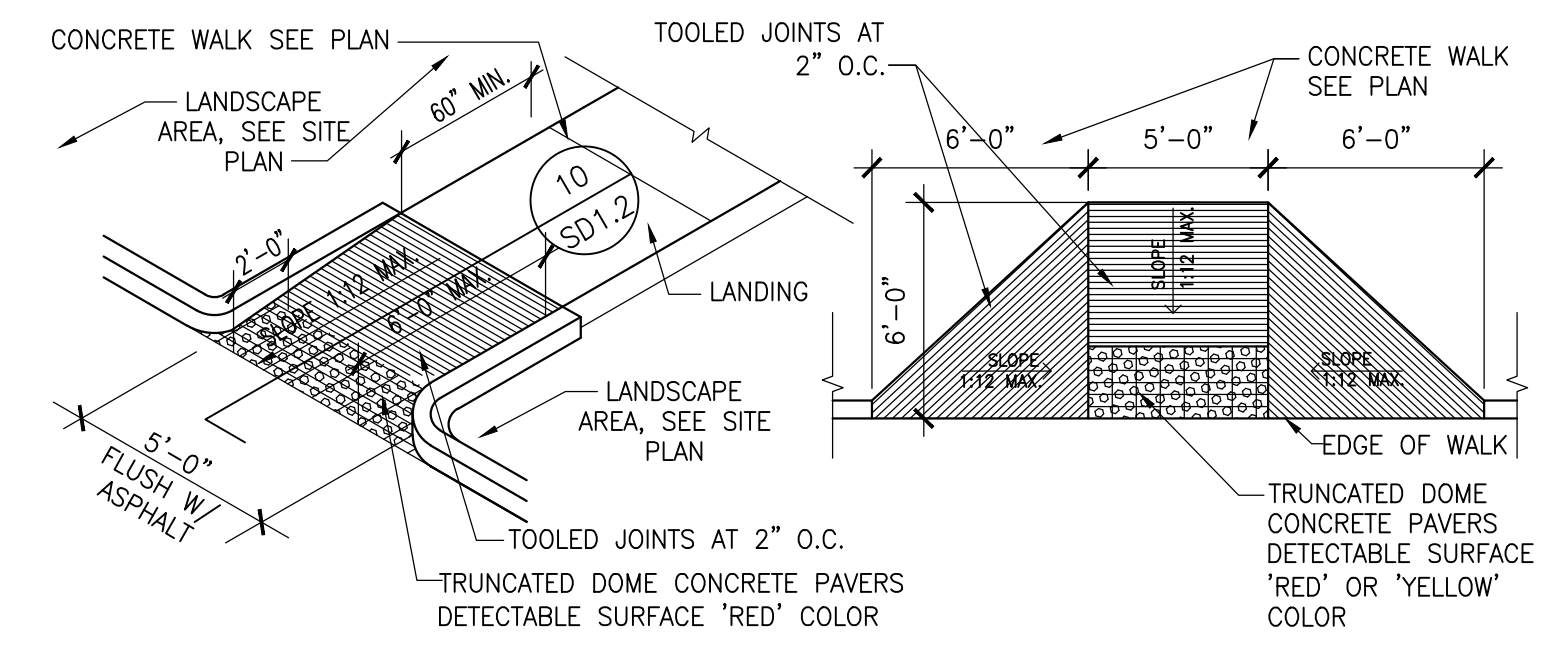
4 TYP. FRONT COLORED CONCRETE + BOLLARD
1/8"=1'-0"



14 BIKE RACK DETAIL (TYPICAL OF 2)
3/4"=1'-0"

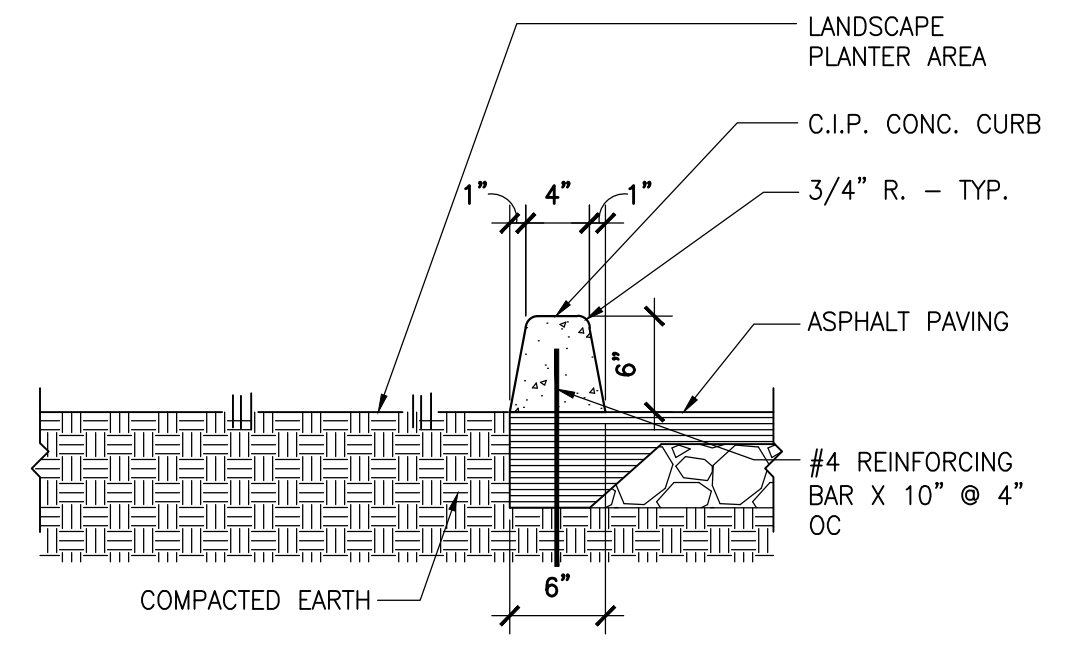


10 WALK AT RAMP
1"=1'-0"

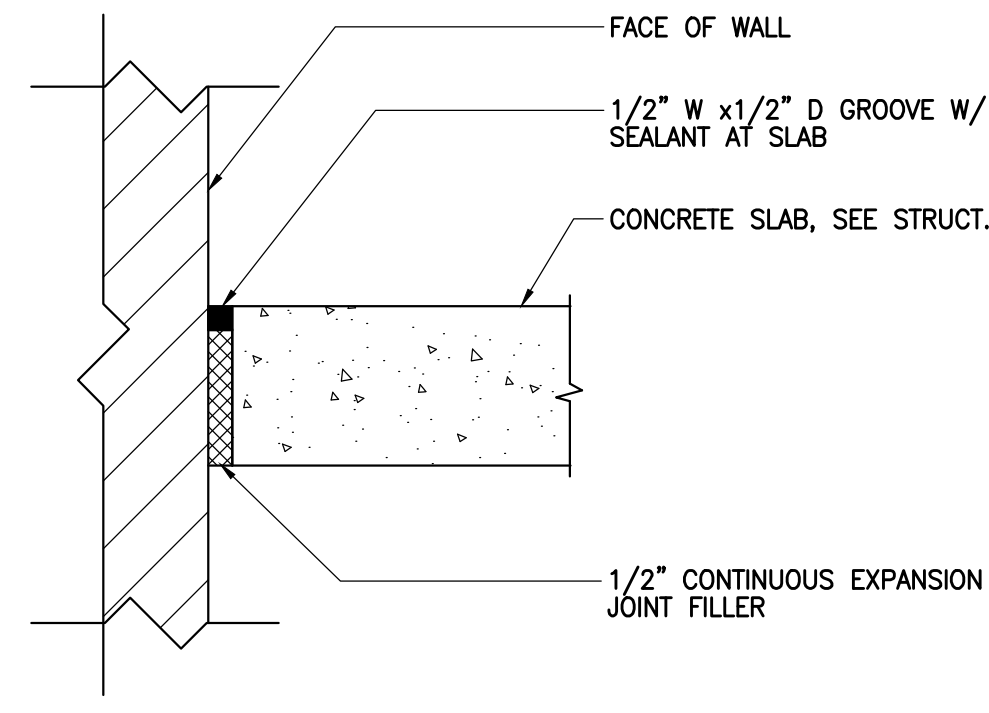


6 ACCESSIBLE RAMPS
3/16"=1'-0"

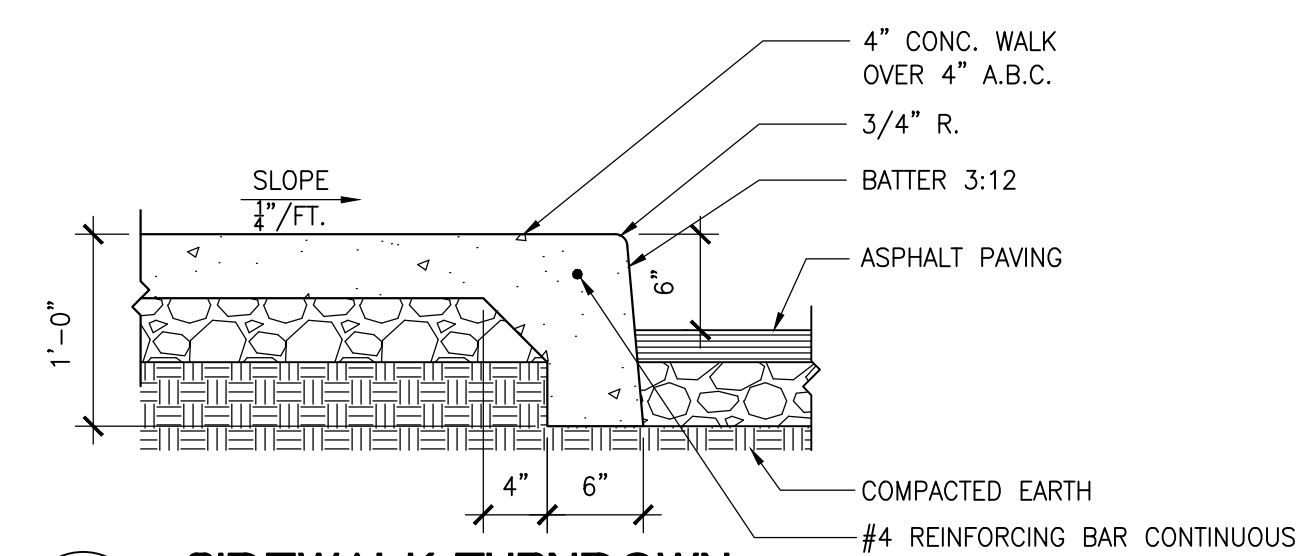
NOTE: ALL A.D.A. REQUIREMENTS TO BE INSTALLED PER APPROVED ARCHITECT'S PLANS



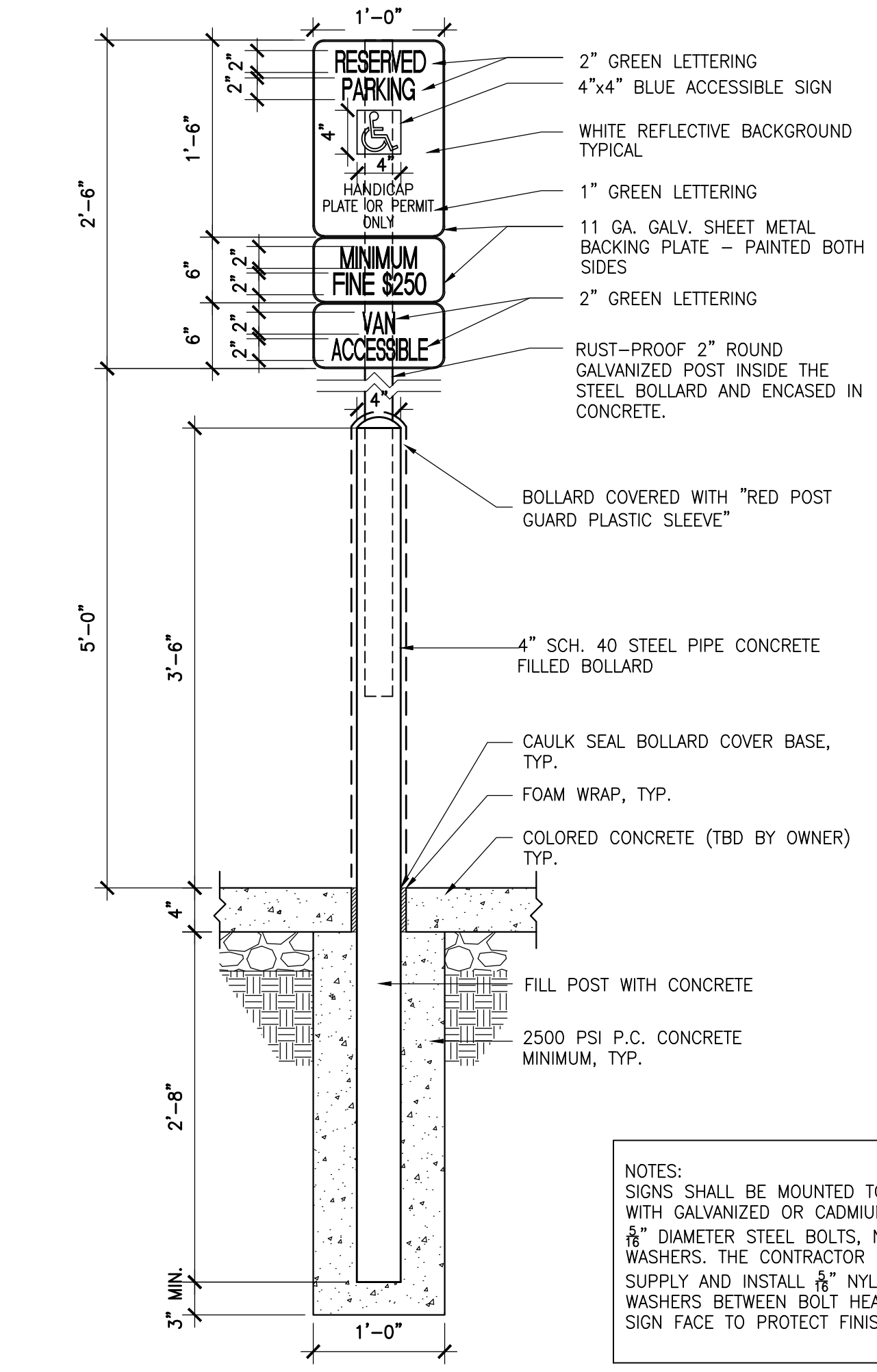
2 TEMPORARY EXTRUDED CURB
1"=1'-0"



13 TYPICAL SLAB AT GRADE
3"=1'-0"

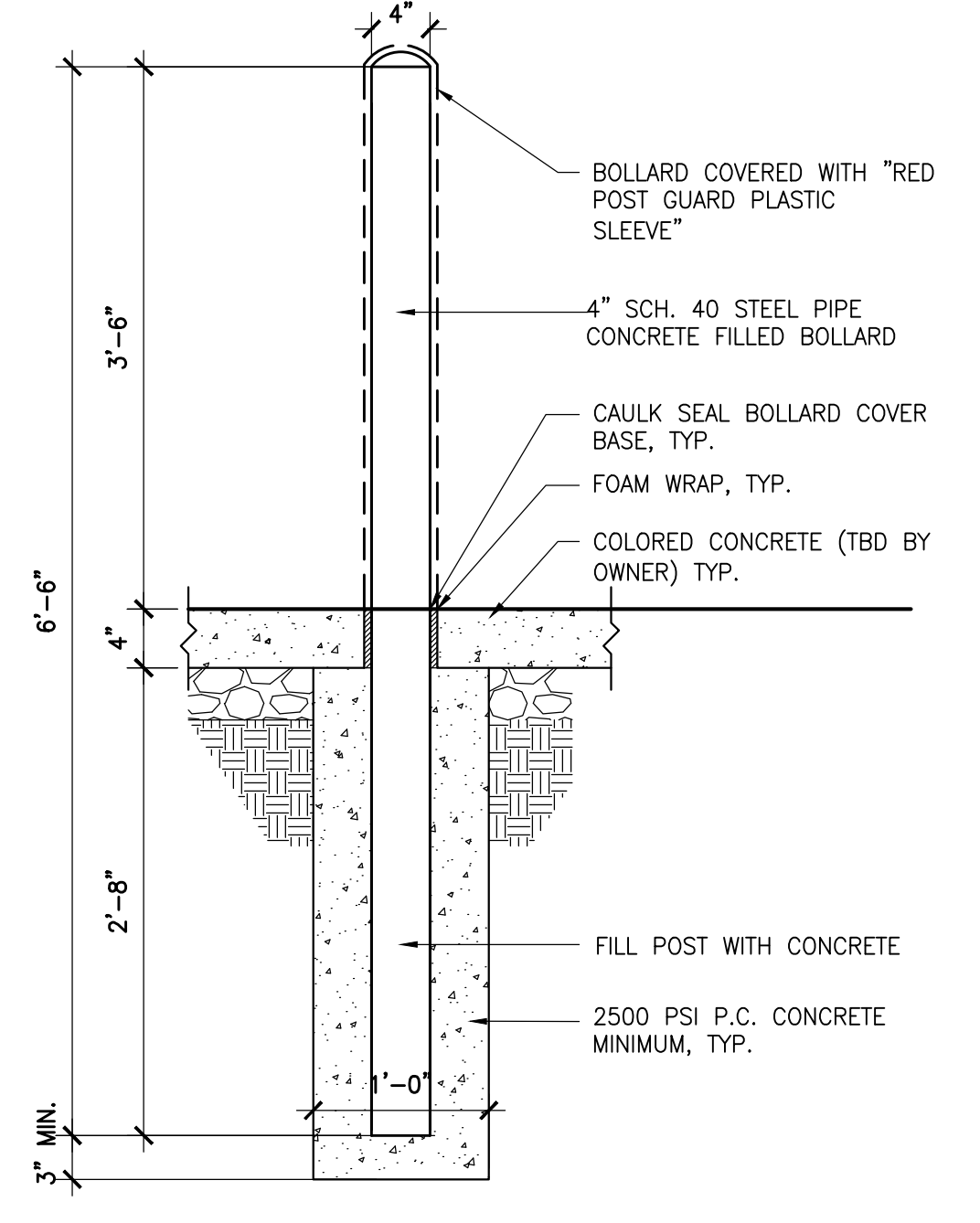


9 SIDEWALK TURNDOWN
1"=1'-0"

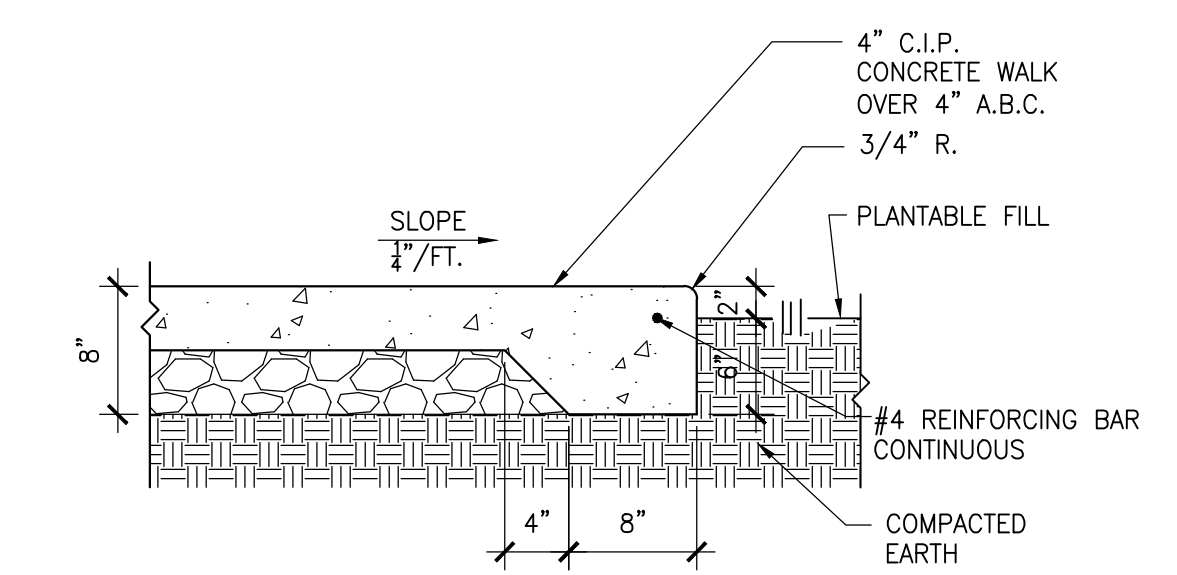


5 HANDICAP ACCESSIBLE SIGN
1"=1'-0"

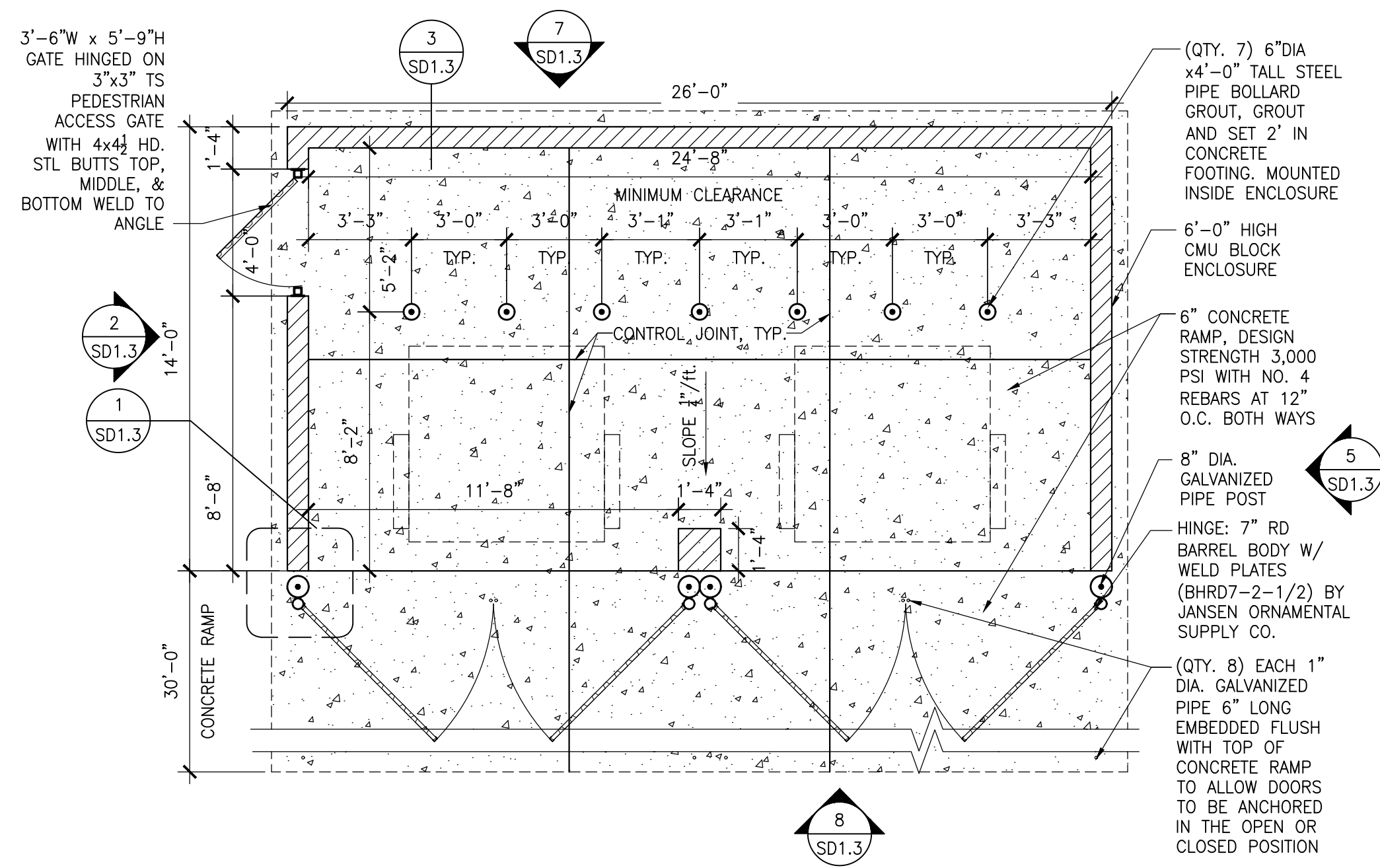
NOTES: SIGNS SHALL BE MOUNTED TO POST WITH GALVANIZED OR CADMIUM PLATE 5/16" DIAMETER STEEL BOLTS, NUTS AND WASHERS. THE CONTRACTOR SHALL SUPPLY AND INSTALL 1/2" NYLON WASHERS BETWEEN BOLT HEADS AND SIGN FACE TO PROTECT FINISH.



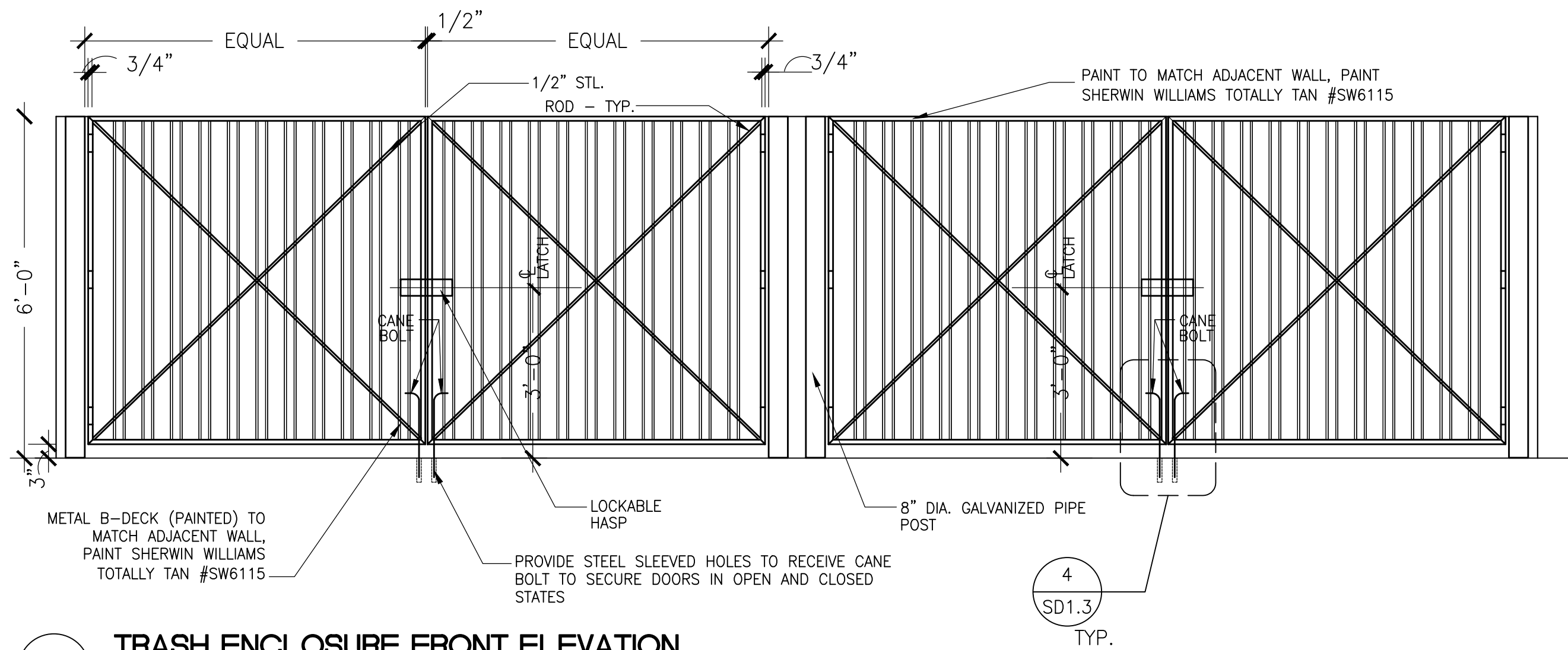
1 GUARD POST
1"=1'-0"



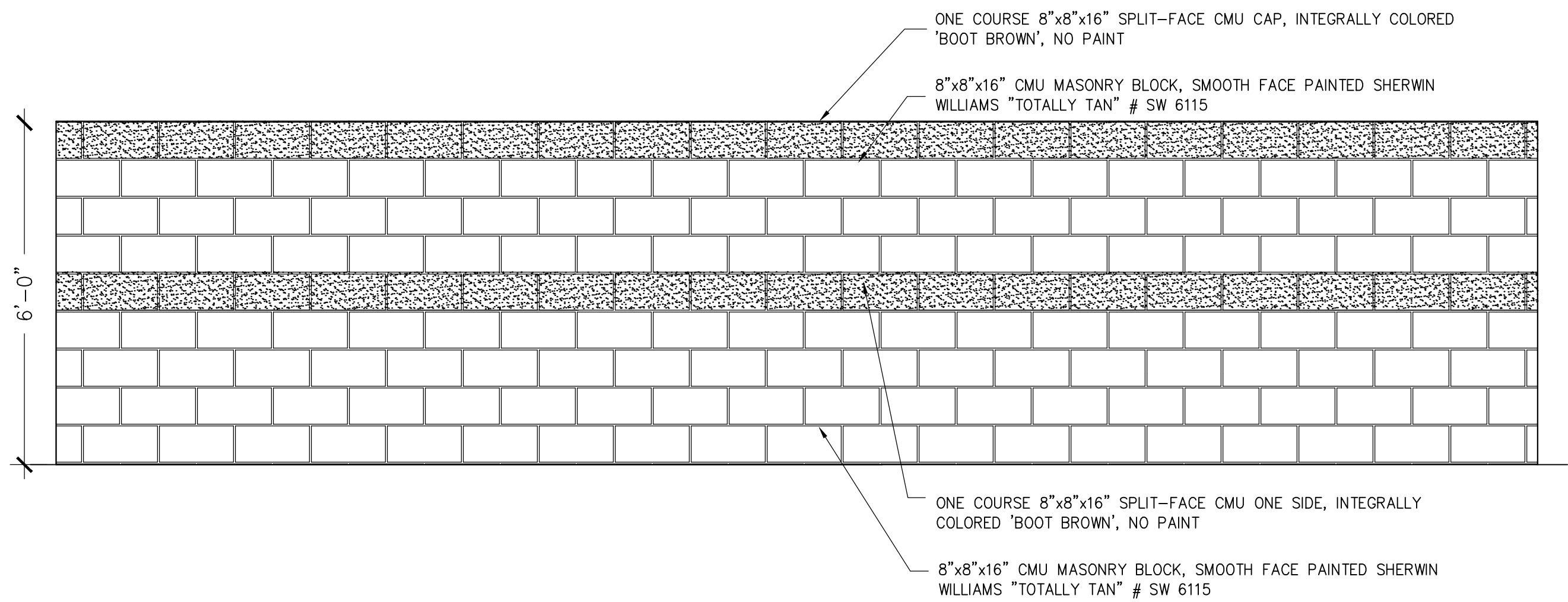
8 EDGE OF WALK AT PLANTER
1"=1'-0"



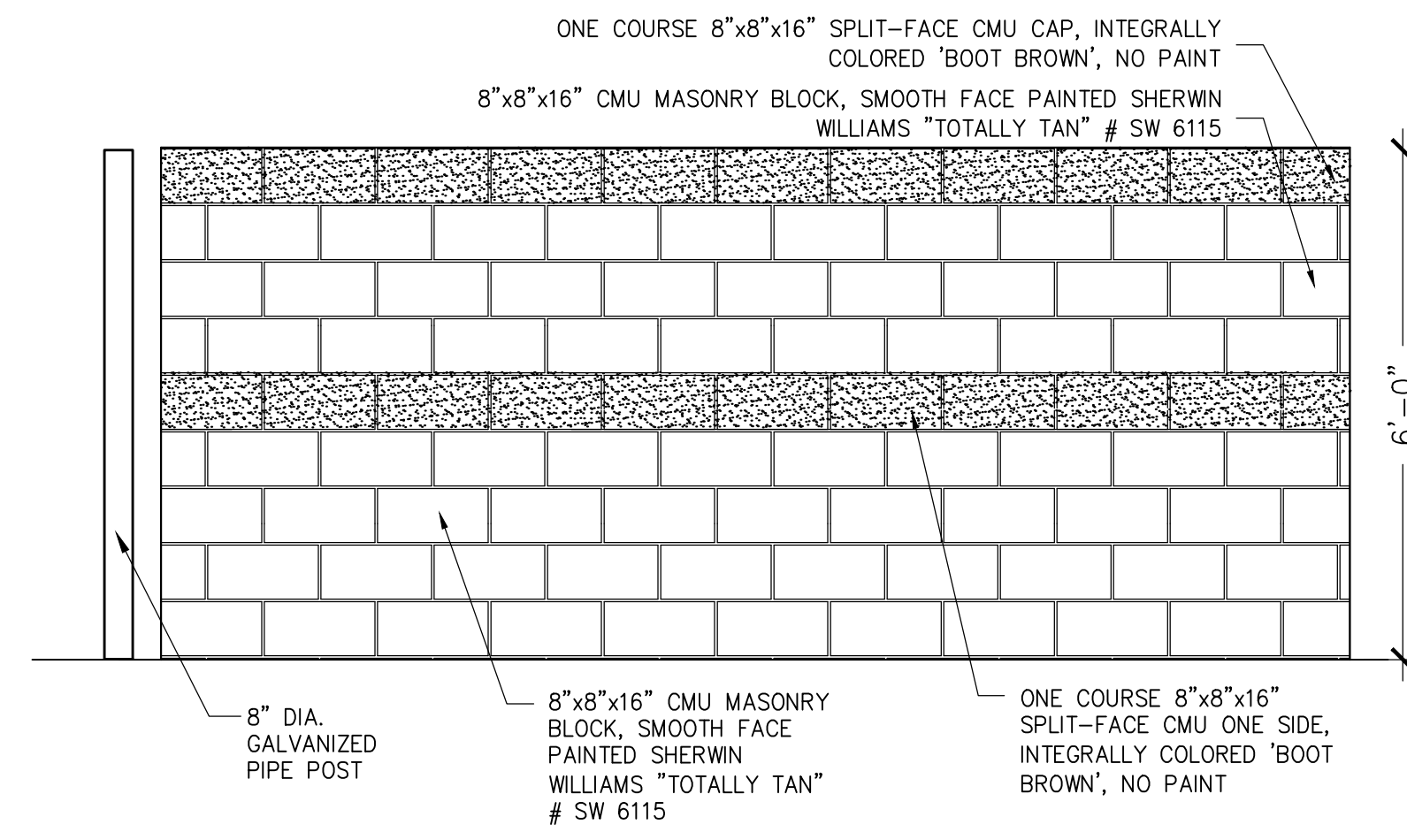
9 TRASH ENCLOSURE (PLAN)
1/4"=1'-0"



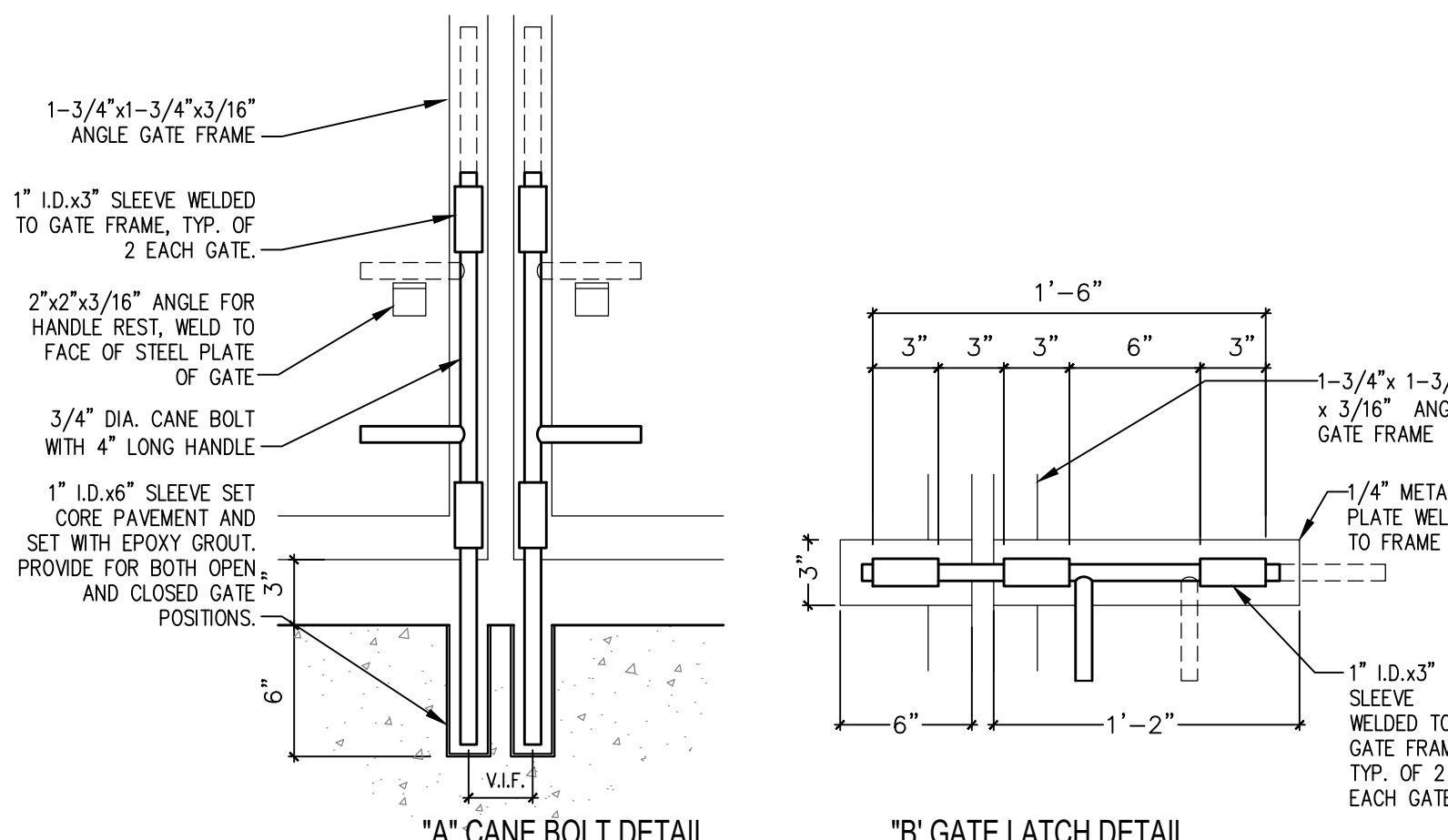
8 TRASH ENCLOSURE FRONT ELEVATION
1/2"=1'-0"



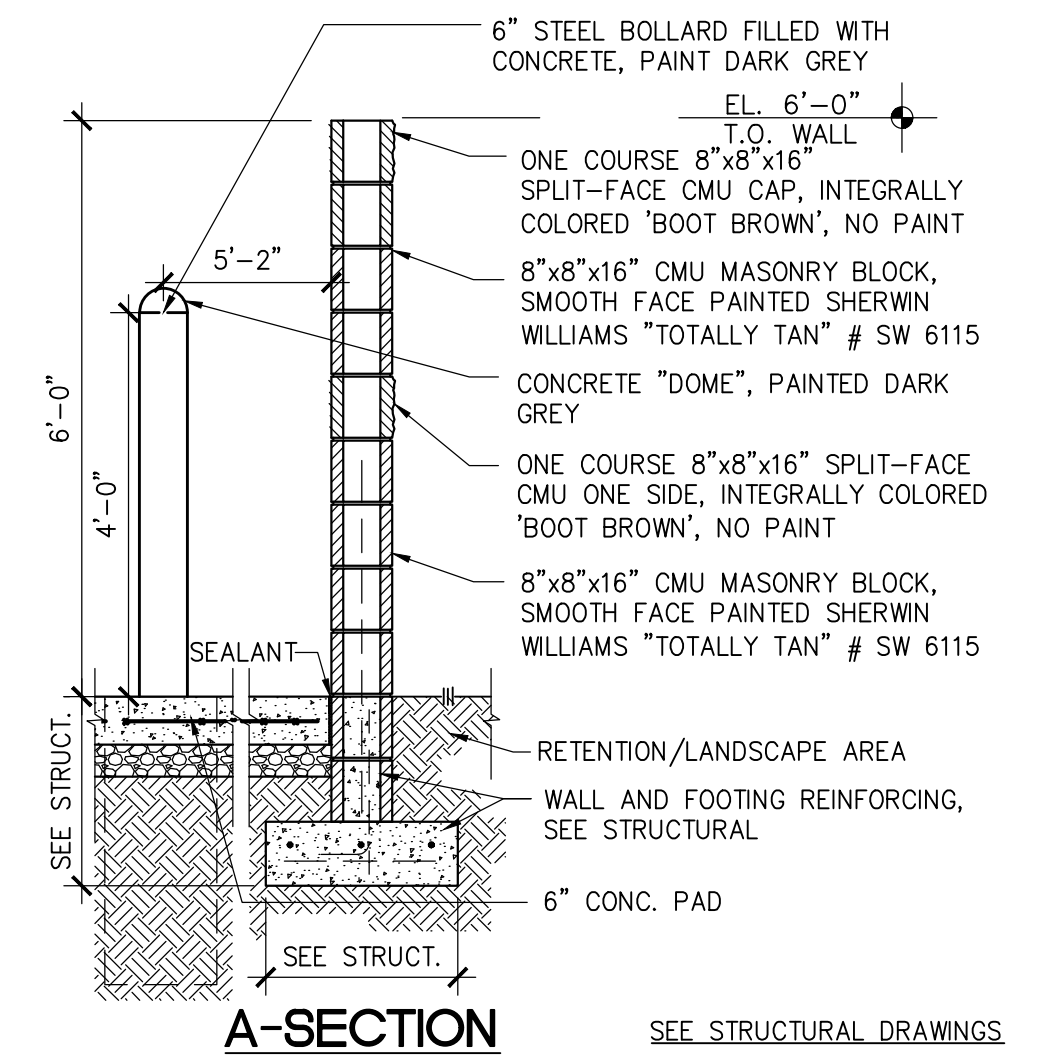
7 TRASH ENCLOSURE REAR ELEVATION
1/2"=1'-0"



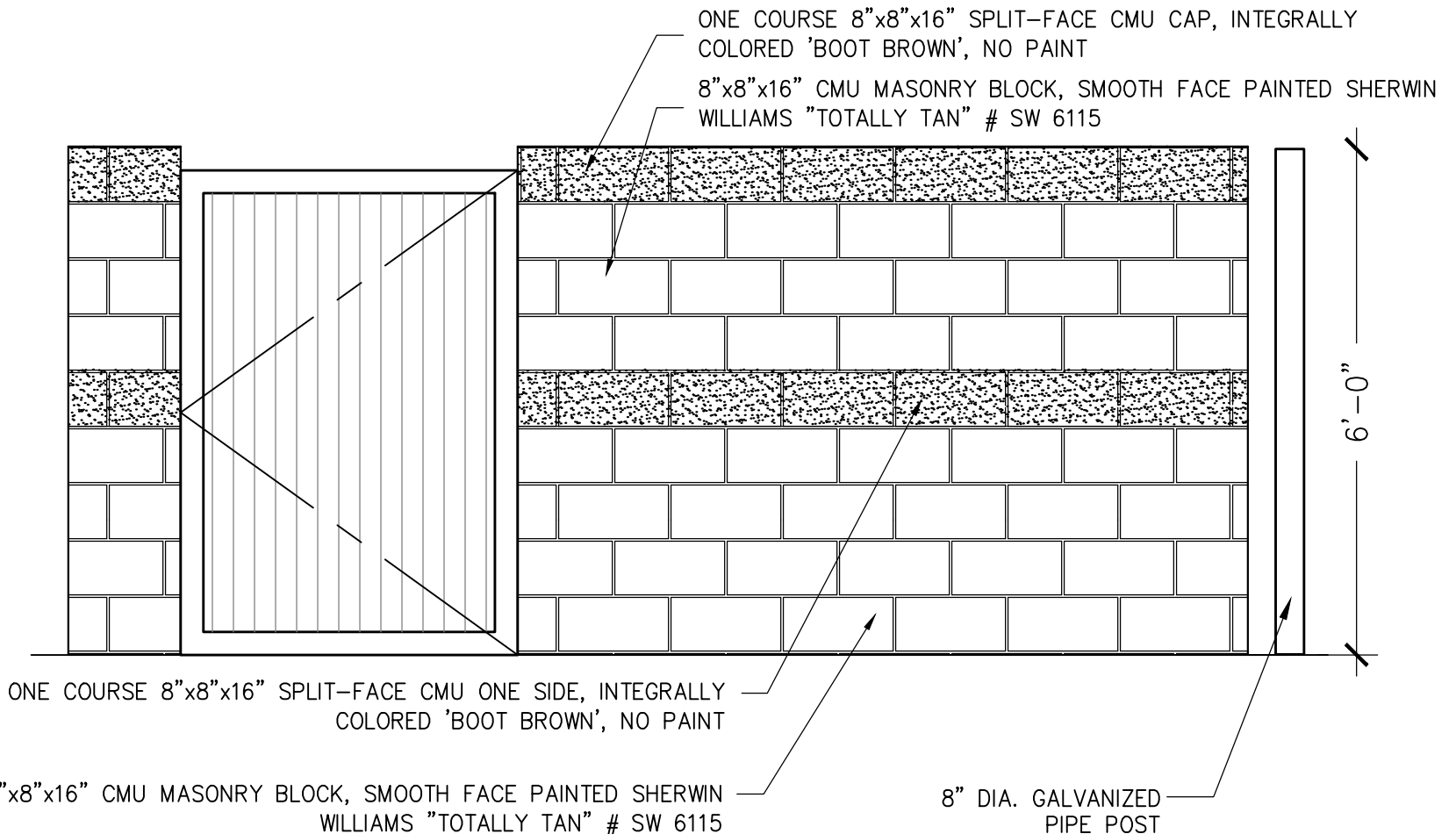
5 TRASH ENCLOSURE SIDE ELEVATION
1/2"=1'-0"



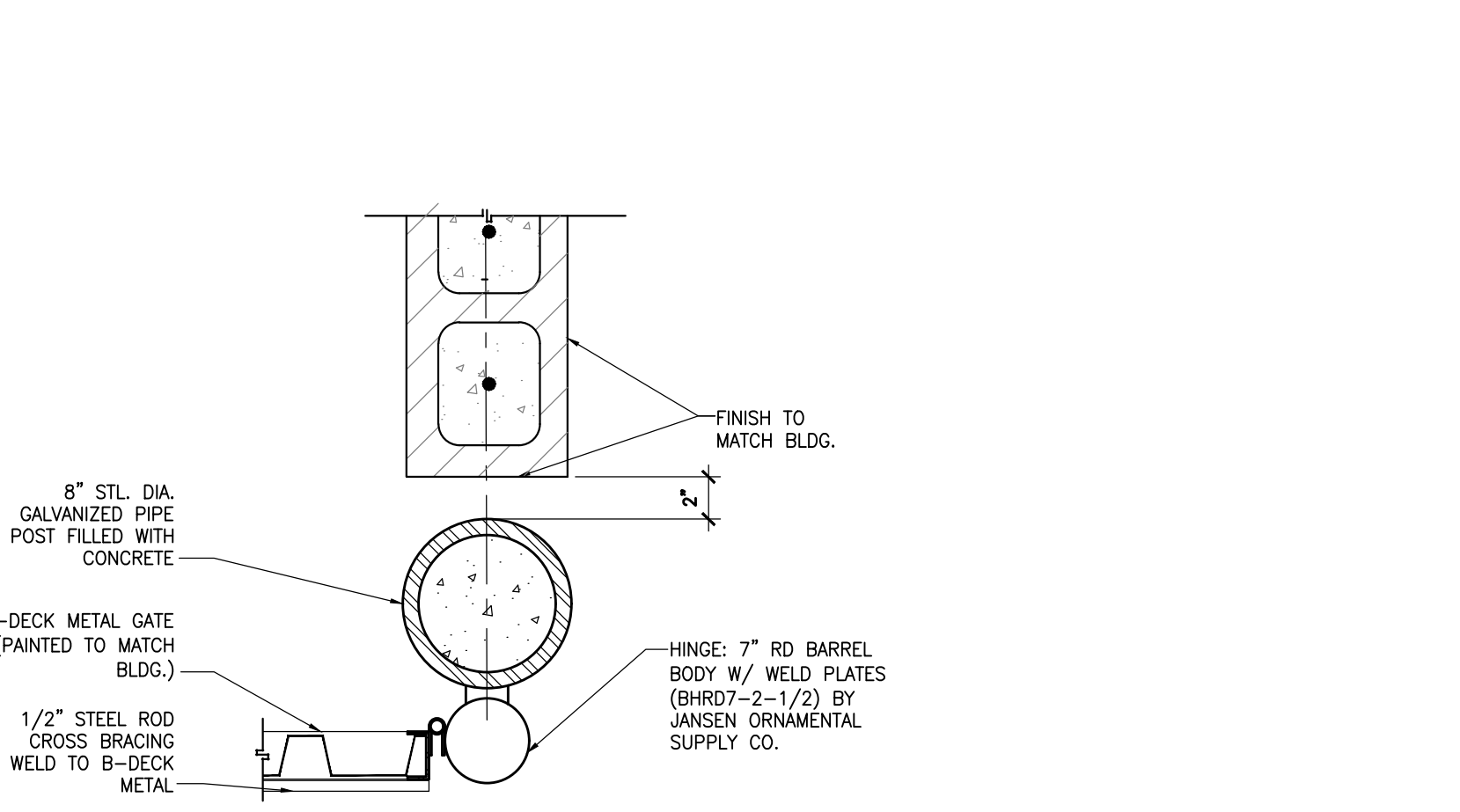
4 CANE BOLT DETAIL
1 1/2"=1'-0"



3 6'-0" TRASH ENCLOSURE
1/2"=1'-0"



2 TRASH ENCLOSURE SIDE ELEVATION
1/2"=1'-0"



1 ENCLOSURE GATE HINGE
1 1/2"=1'-0"

JOB INFO

CUSTOMER:
 Circle K Food Stores

LOCATION:
 NEC AZ-89A & Southwest Dr.
 Sedona, AZ

WORK ORDER:
 60695

FILE NAME:
 21-0017

REVISION #: **R-1**

DATE: 08/20/2021

SALESMAN:
 Chris Carlson

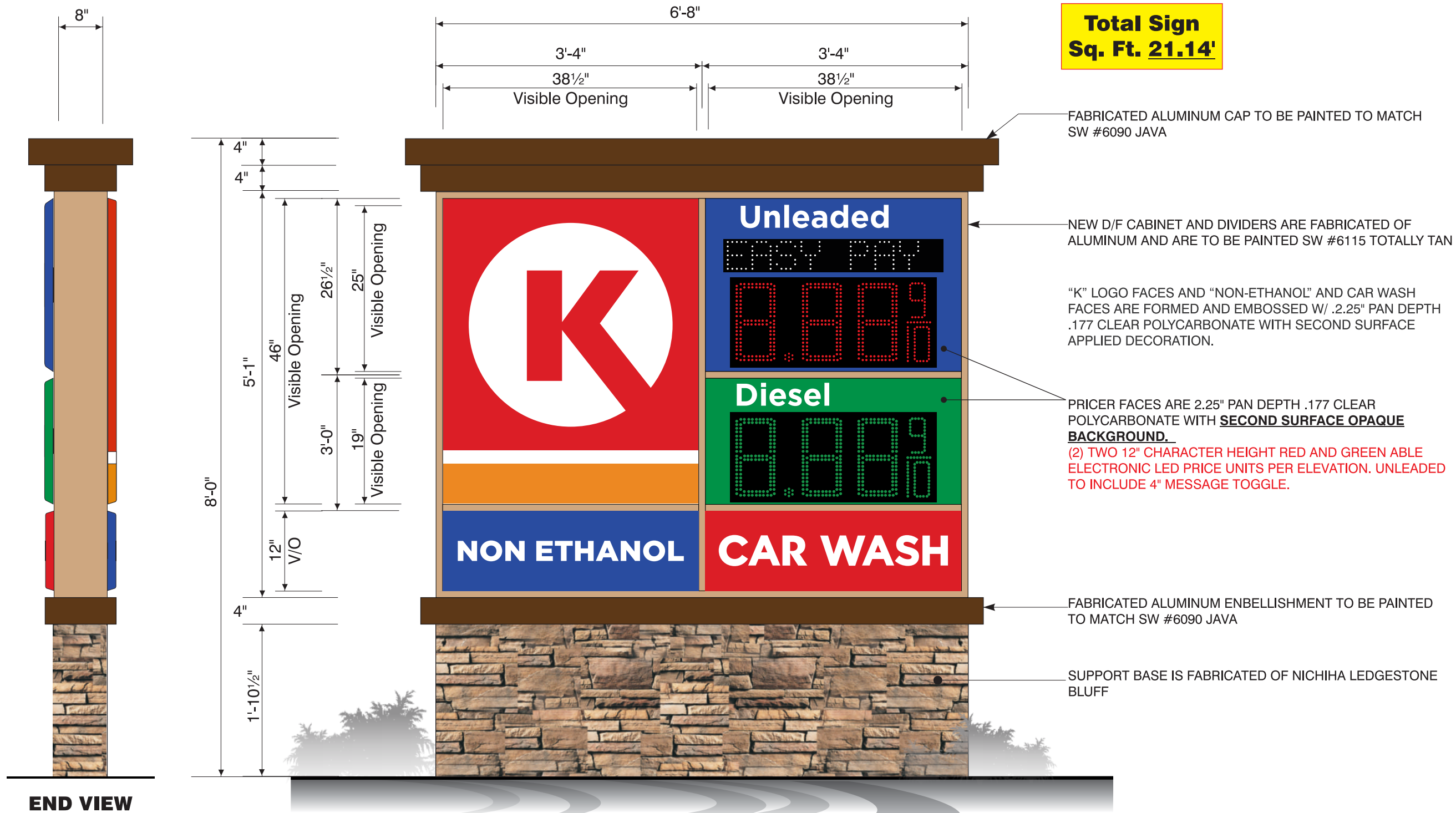
DESIGNER:
 JBreen

JOB DETAILS

COLORS

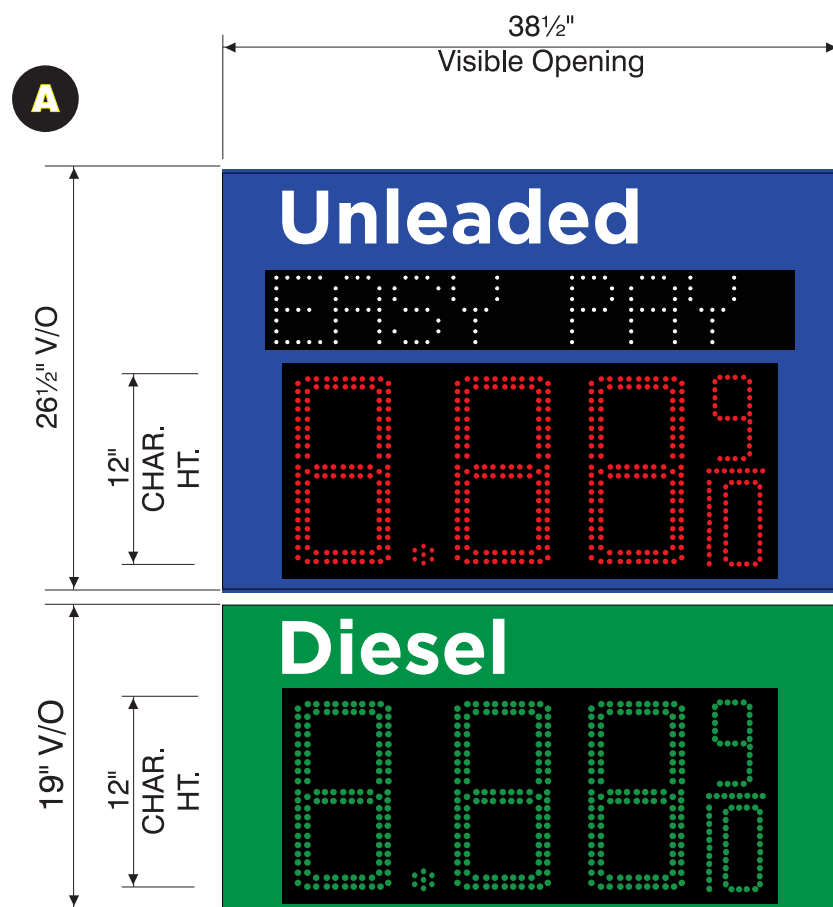
All sign designs and concepts shown here are confidential and are the property of Pearsons Sign Co. They are not to be distributed, exhibited, copied or otherwise used without written permission from Pearsons Sign Co..

**Total Sign
 Sq. Ft. 21.14'**



A D/F Internally Illuminated Monument Sign
 SCALE: 3/4" = 1' - 0"

NOTE:
Total Sign Square Footage for:
Unleaded Pricer Unit: 2.91 sq. ft.
Unleaded Copy: 0.53 sq. ft.
Toggle Message Unit: 1.18 sq. ft.
Diesel Pricer Unit: 2.91 sq. ft.
Diesel Copy: 0.34 sq. ft.
TOTAL FOR ALL: 7.9 sq. ft.



Led Product Pricer Sign Faces

SCALE: 3/4" = 1' - 0"

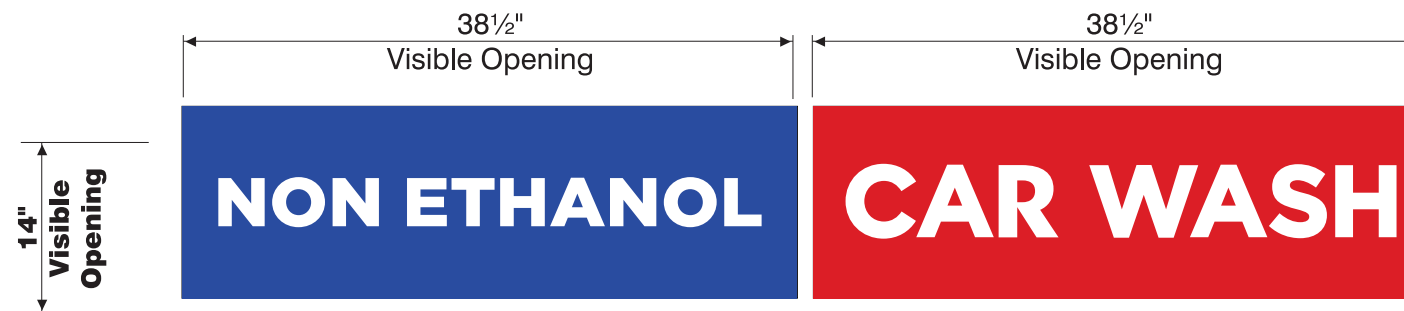
COLORS

All gasoline products (Unleaded, Ethanol Free, etc.) are to have white copy on a 3M 3630-157 Sultan Blue opaque vinyl background. The price digits are to be red LEDs on a black background.

Diesel products are to have white copy on a 3M 3630-156 Vivid Green opaque vinyl background. The price digits are to be green LEDs on a black background.

LEDs

All price digit LEDs and Message toggles to be Able Applied Technologies brand and 7-segment font style. The LED digit height should be maximized in the available space.

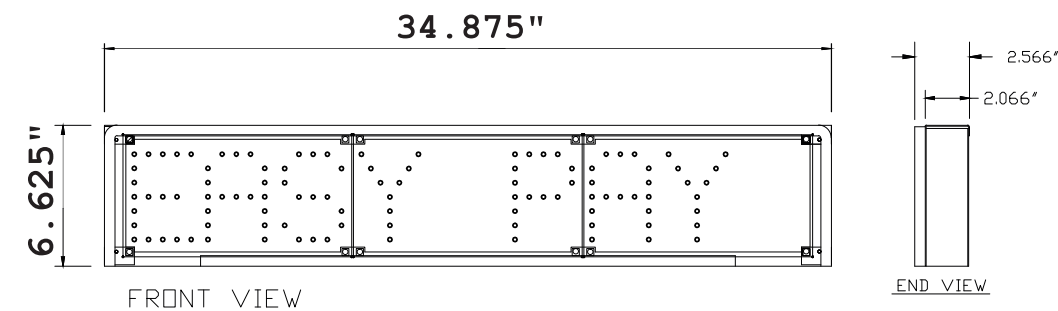


Digitally Printed Sign Faces

SCALE: 1" = 1' - 0"

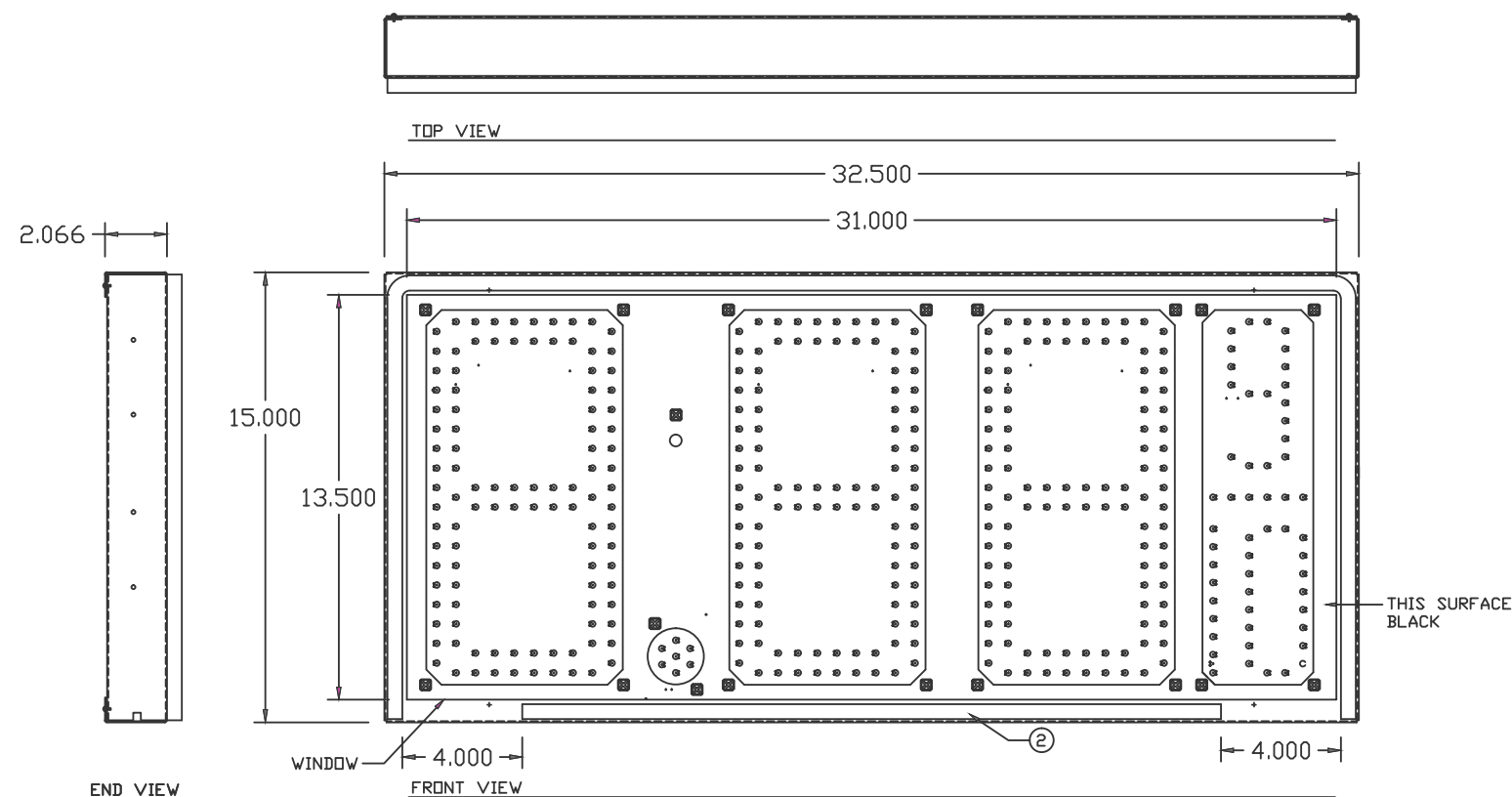
DESCRIPTION:

DIGITALLY PRINTED GRAPHICS APPLIED SECOND SURFACE



LED Message Toggle Layout

NOT TO SCALE



JOB INFO

CUSTOMER:
 Circle K Food Stores
LOCATION:
 NEC AZ-89A & Southwest Dr.
 Sedona, AZ
WORK ORDER:
 60695
FILE NAME:
 21-0017
REVISION #: **R-1**
DATE: 08/20/2021
SALESMAN:
 Chris Carlson
DESIGNER:
 JBreen

JOB DETAILS

COLORS

All sign designs and concepts shown here are confidential and are the property of Pearsons Sign Co. They are not to be distributed, exhibited, copied or otherwise used without written permission from Pearsons Sign Co..

JOB INFO

CUSTOMER:
Circle K Food Stores

LOCATION:
NEC AZ-89A & Southwest Dr.
Sedona, AZ

WORK ORDER:
60695

FILE NAME:
21-0017

REVISION #: **R-1**

DATE: 08/20/2021

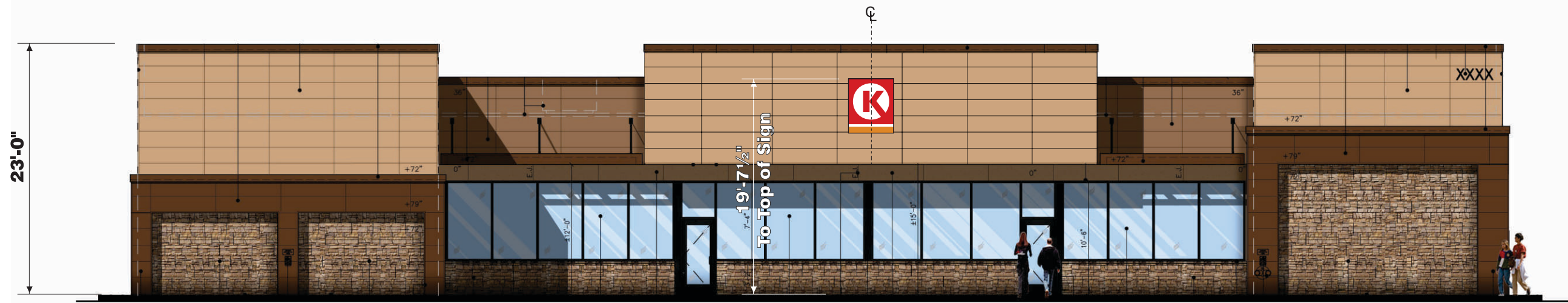
SALESMAN:
Chris Carlson

DESIGNER:
JBreen

JOB DETAILS

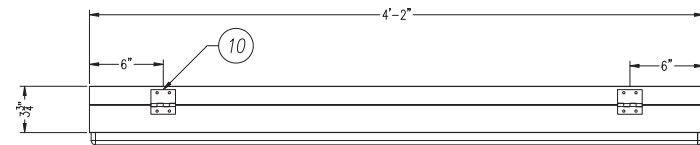
COLORS

All sign designs and concepts shown here are confidential and are the property of Pearson's Sign Co. They are not to be distributed, exhibited, copied or otherwise used without written permission from Pearson's Sign Co..

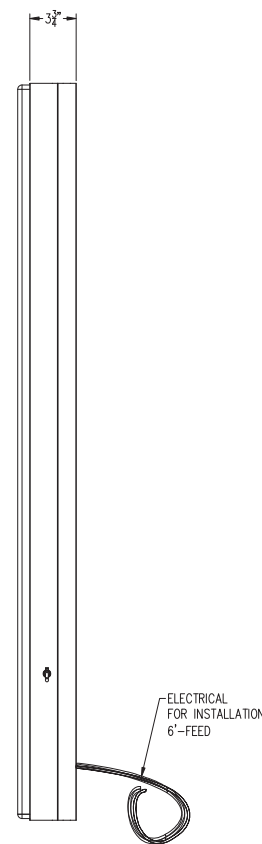
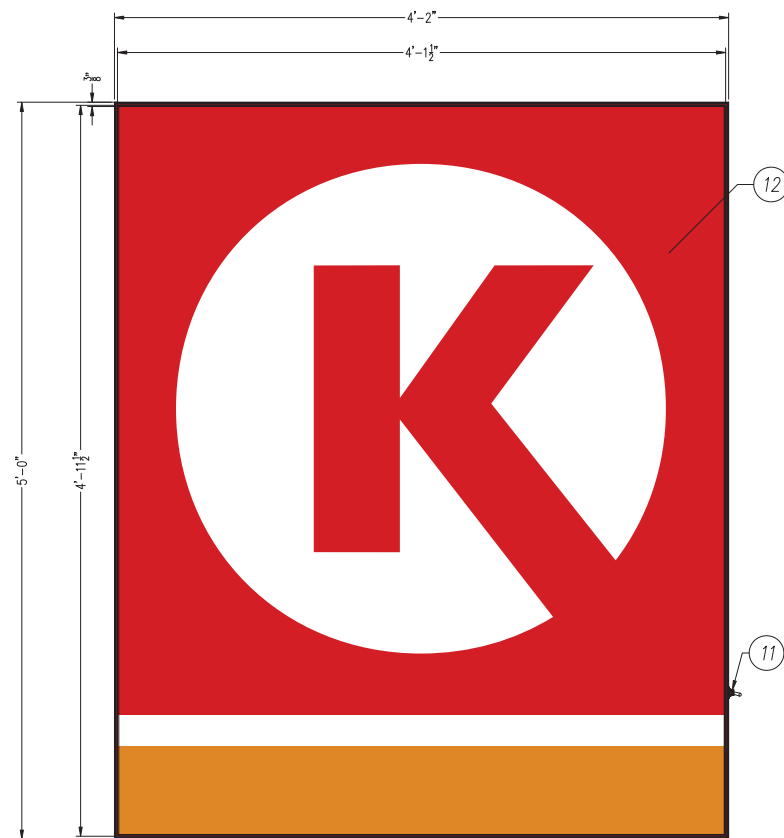


Building North Elevation

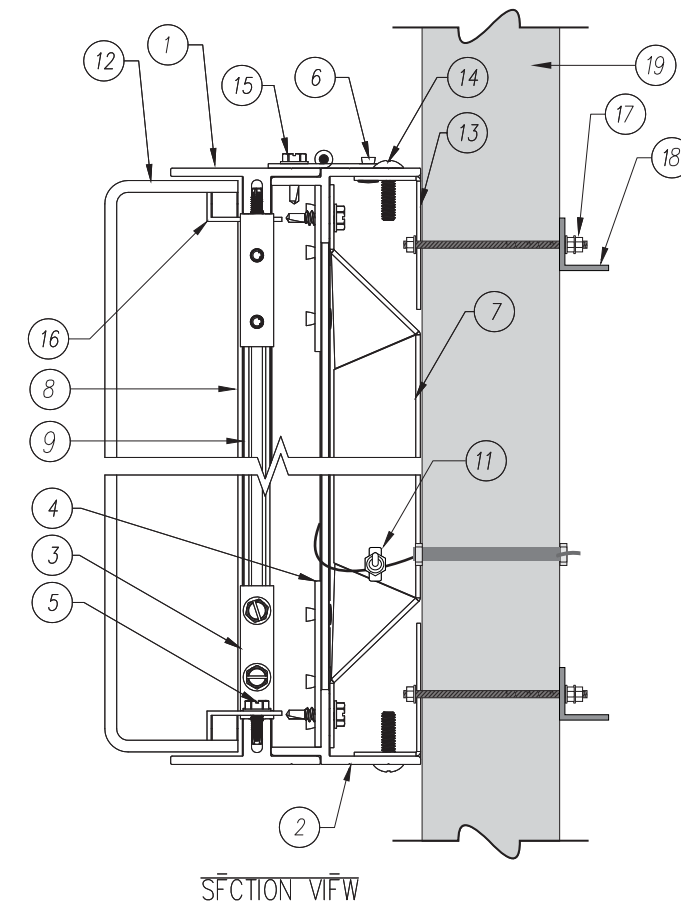
SCALE: 3/32" = 1'-0"



**Total Sign
Sq. Ft. 20.08'**



PARTS LIST			
NO	PART #	DESCRIPTION	QTY
1	OEXT000445	CIRCLE K WALL SIGN RETAINER	4
2	OEXT000446	CIRCLE K WALL SIGN FRAME	4
3	OMF107	2" X 2" X .118" X .5" ALUM ANGLE	4
4	OMF108	2.5" X 2.5" X .75" L BRACKET	4
5	OFSC1032H05	#10/32 X 1/2" HEX THREAD CUTTING SCREW	16
6	OFRI000D64	3/16" BLIND RIVET	22
7	OASH609112	.063" PREPAINTED WHITE ALUMINUM BACKER	1
8	OLED Syl6065S	OSRAM SYLVANIA BACKLED M SQUARE	200
9	OLED Syl60PS	OSRAM-SYLVANIA 0T60W/12V/UNV	4
10	OHIN000202	2" X 2" X .060" PIANO HINGE	3
11	OSW000002	RUBBER BOOTED DISCONNECT SWITCH	1
12	OACS177054	.177" X 58" X 132" CLEAR MOD ACRYLIC SHEET	1
13	OEXT000217	1" X 2" X .125" ALUM ANGLE	2
14	OFSC70A542	1-4"-20 X 1" STL TRS PHL SCREW	6
15	OFSC000005	#8 X 1/2 HEX" HEAD TEK SCREW	6
16	OASH000026	.063 ALUMINUM BKT.	A/R
17		3/8" ALL THREAD NUT & BOLT MOUNTING HARDWARE	8
18		2" X 2" ANGLE IRON BRACING	
19		STUCCO OVER WOOD FRAME WALL (EXIST.)	



B

5 X 4 Single Face Logo

SCALE: 3/4" = 1'-0"

JOB INFO

CUSTOMER:
 Circle K Food Stores

LOCATION:
 NEC AZ-89A & Southwest Dr.
 Sedona, AZ

WORK ORDER:
 60695

FILE NAME:
 21-0017

REVISION #: **R-1**

DATE: 08/20/2021

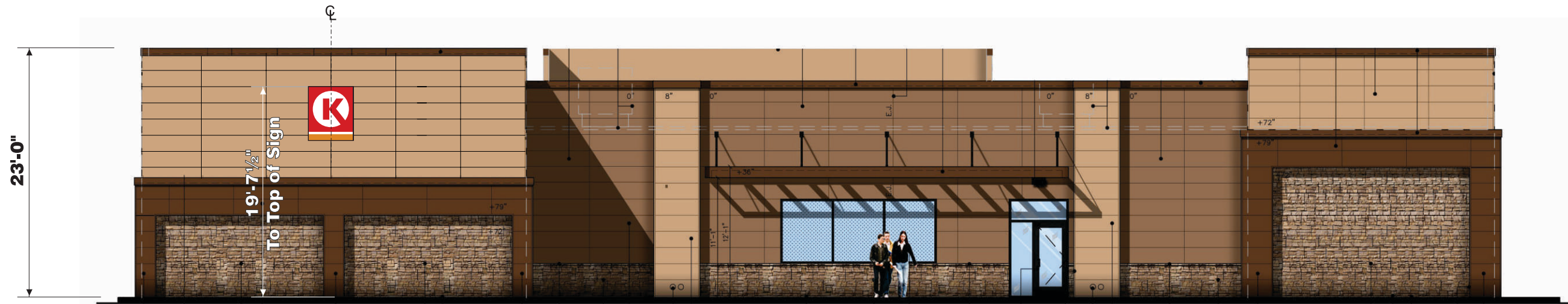
SALESMAN:
 Chris Carlson

DESIGNER:
 JBreen

JOB DETAILS

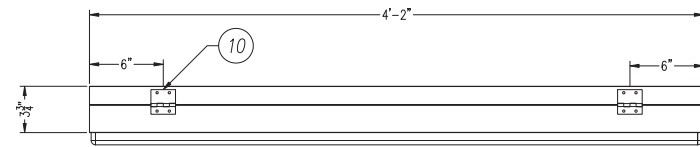
COLORS

All sign designs and concepts shown here are confidential and are the property of Pearsons Sign Co. They are not to be distributed, exhibited, copied or otherwise used without written permission from Pearsons Sign Co..

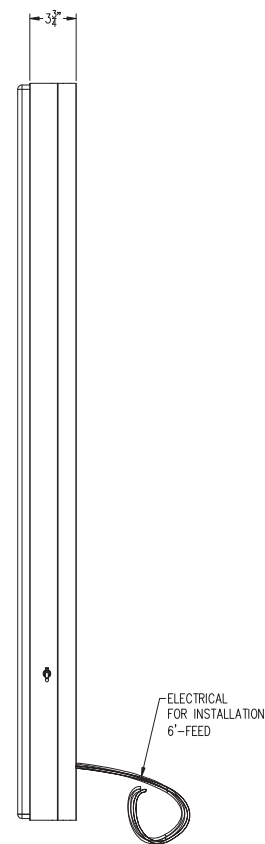
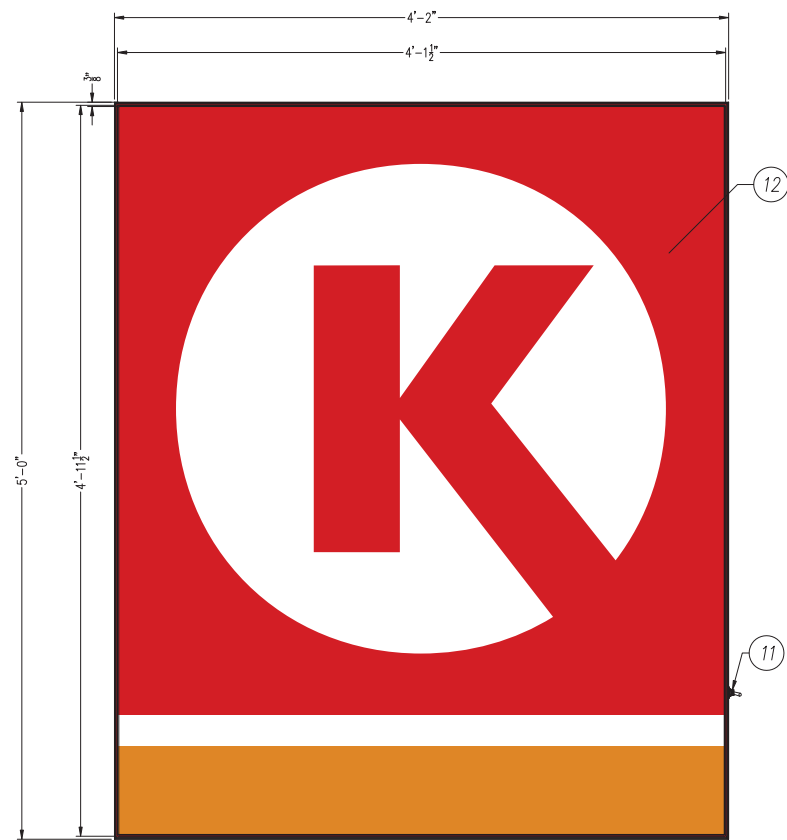


Building South Elevation

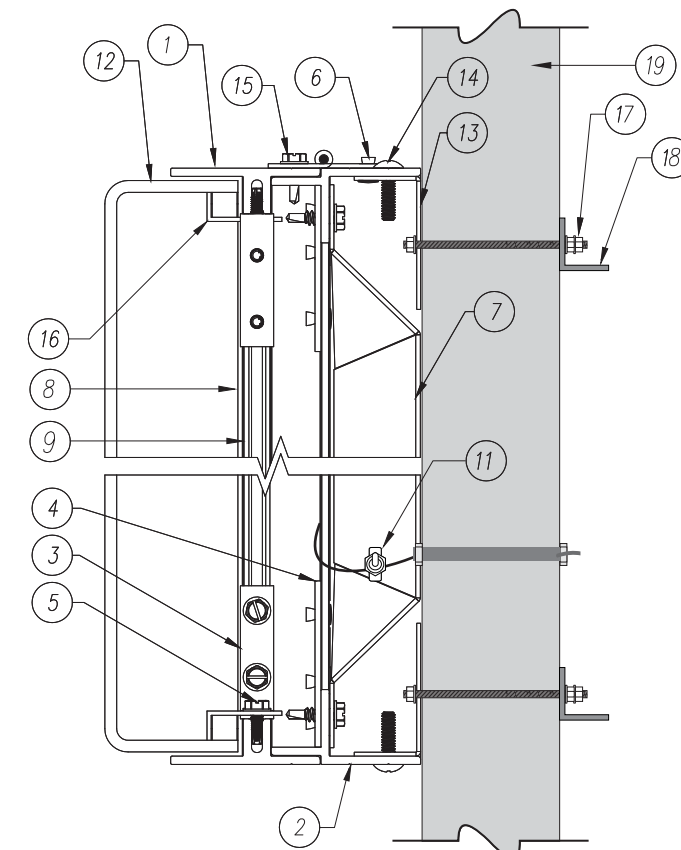
SCALE: 3/32" = 1'-0"



**Total Sign
 Sq. Ft. 20.08'**



PARTS LIST			
NO	PART #	DESCRIPTION	QTY
1	OEXT000445	CIRCLE K WALL SIGN RETAINER	4
2	OEXT000446	CIRCLE K WALL SIGN FRAME	4
3	OMF107	2" X 2" X .118" X .5" ALUM ANGLE	4
4	OMF108	2.5" X 2.5" X .75" L BRACKET	4
5	OFSC1032H05	#10/32 X 1/2" HEX THREAD CUTTING SCREW	16
6	OFRI000D64	3/16" BLIND RIVET	22
7	OASH609112	.063" PREPAINTED WHITE ALUMINUM BACKER	1
8	OLED Syl6M65S	OSRAM SYLVANIA BACKLED M SQUARE	200
9	OLED Syl60PS	OSRAM-SYLVANIA 0T60W/12V/UNV	4
10	OHIN000202	2" X 2" X .060" PIANO HINGE	3
11	OSW000002	RUBBER BOOTED DISCONNECT SWITCH	1
12	OACS177054	.177" X 58" X 132" CLEAR MOD ACRYLIC SHEET	1
13	OEXT000217	1" X 2" X .125" ALUM ANGLE	2
14	OFSC70A542	1-4"-20 X 1" STL TRS PHL SCREW	6
15	OFSC000005	#8 X 1/2 HEX" HEAD TEK SCREW	6
16	OASH000026	.063 ALUMINUM BKT.	A/R
17		3/8" ALL THREAD NUT & BOLT MOUNTING HARDWARE	8
18		2" X 2" ANGLE IRON BRACING	
19		STUCCO OVER WOOD FRAME WALL (EXIST.)	



SECTION VIEW

5 X 4 Single Face Logo

SCALE: 3/4" = 1'-0"





Building South Elevation

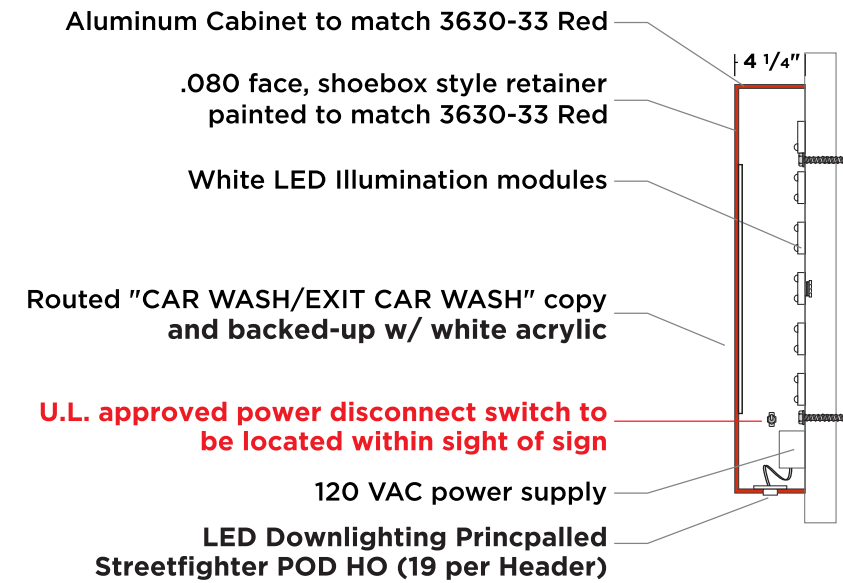
SCALE: 3/16" = 1' - 0"

**Total Sign
Sq. Ft. 11.5'**



Single Face Illum. Wall Sign

NOT TO SCALE



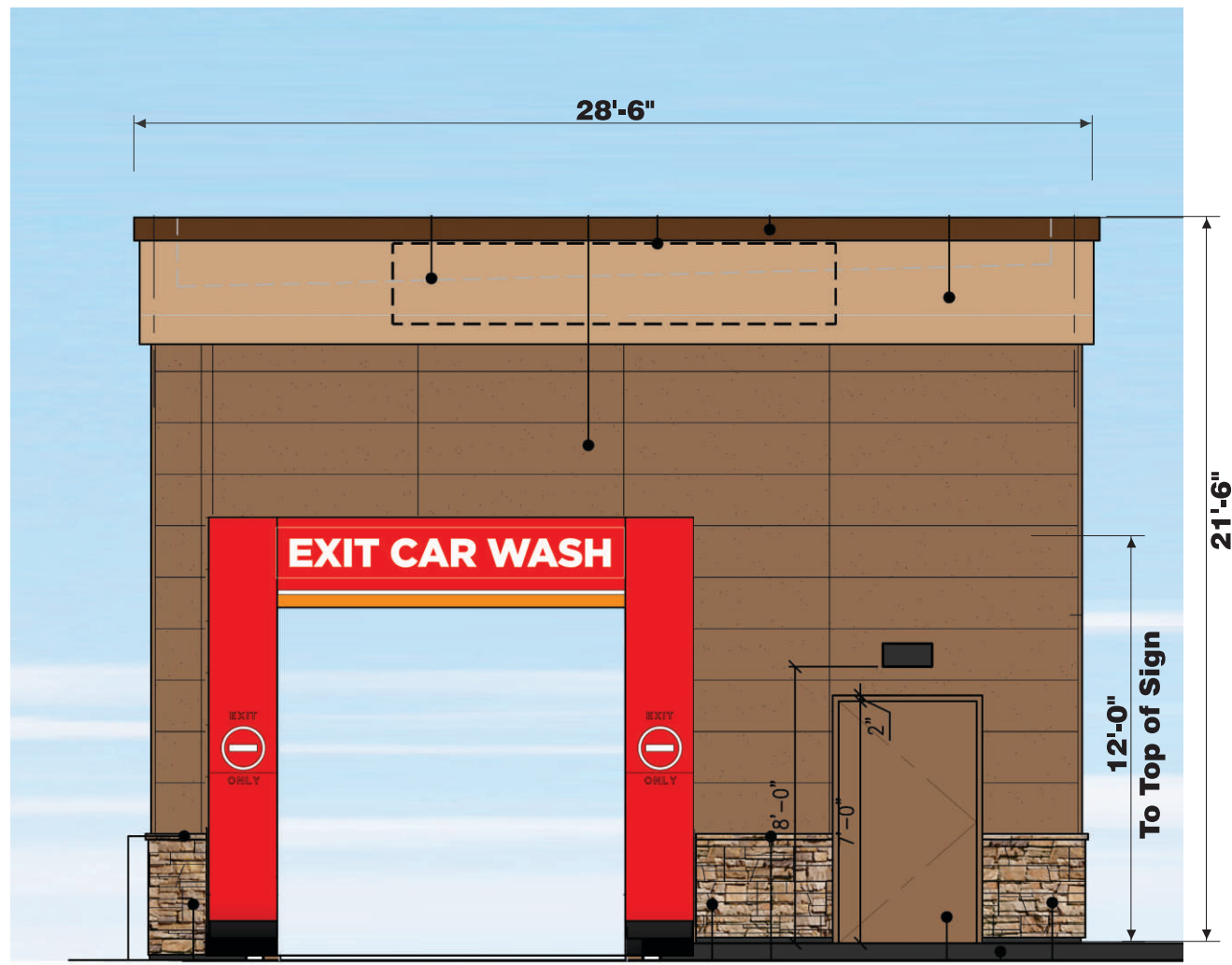
D Cabinet Fabrication and Electrical Specifications
NOT TO SCALE

JOB INFO	
<i>CUSTOMER:</i>	Circle K Food Stores
<i>LOCATION:</i>	NEC AZ-89A & Southwest Dr. Sedona, AZ
<i>WORK ORDER:</i>	60695
<i>FILE NAME:</i>	21-0017
<i>REVISION #:</i>	R-1
<i>DATE:</i>	08/20/2021
<i>SALESMAN:</i>	Chris Carlson
<i>DESIGNER:</i>	JBreen

JOB DETAILS	

COLORS	

All sign designs and concepts shown here are confidential and are the property of Pearson's Sign Co. They are not to be distributed, exhibited, copied or otherwise used without written permission from Pearson's Sign Co..



Building North Elevation

SCALE: 3/16" = 1' - 0"

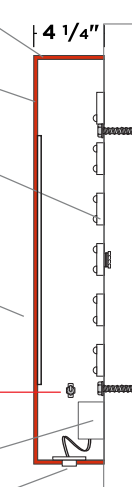
**Total Sign
Sq. Ft. 15.5'**



SINGLE FACE LED ILLUMINATED SIGN

SCALE: 1/2" = 1' - 0"

- Aluminum Cabinet to match 3630-33 Red
- .080 face, shoebox style retainer painted to match 3630-33 Red
- White LED Illumination modules
- Routed "CAR WASH/EXIT CAR WASH" copy and backed-up w/ white acrylic
- U.L. approved power disconnect switch to be located within sight of sign
- 120 VAC power supply
- LED Downlighting Principalled Streetfighter POD HO (19 per Header)



E Cabinet Fabrication and Electrical Specifications
NOT TO SCALE

JOB INFO	
CUSTOMER:	Circle K Food Stores
LOCATION:	NEC AZ-89A & Southwest Dr. Sedona, AZ
WORK ORDER:	60695
FILE NAME:	21-0017
REVISION #:	R-1
DATE:	08/20/2021
SALESMAN:	Chris Carlson
DESIGNER:	JBreen

JOB DETAILS	

COLORS	

All sign designs and concepts shown here are confidential and are the property of Pearsons Sign Co. They are not to be distributed, exhibited, copied or otherwise used without written permission from Pearsons Sign Co..

JOB INFO

CUSTOMER:
 Circle K Food Stores

LOCATION:
 NEC AZ-89A & Southwest Dr.
 Sedona, AZ

WORK ORDER:
 60695

FILE NAME:
 21-0017

REVISION #: **R-1**

DATE: **08/20/2021**

SALESMAN:
 Chris Carlson

DESIGNER:
 JBreen

JOB DETAILS

COLORS

All sign designs and concepts shown here are confidential and are the property of Pearsons Sign Co. They are not to be distributed, exhibited, copied or otherwise used without written permission from Pearsons Sign Co..

