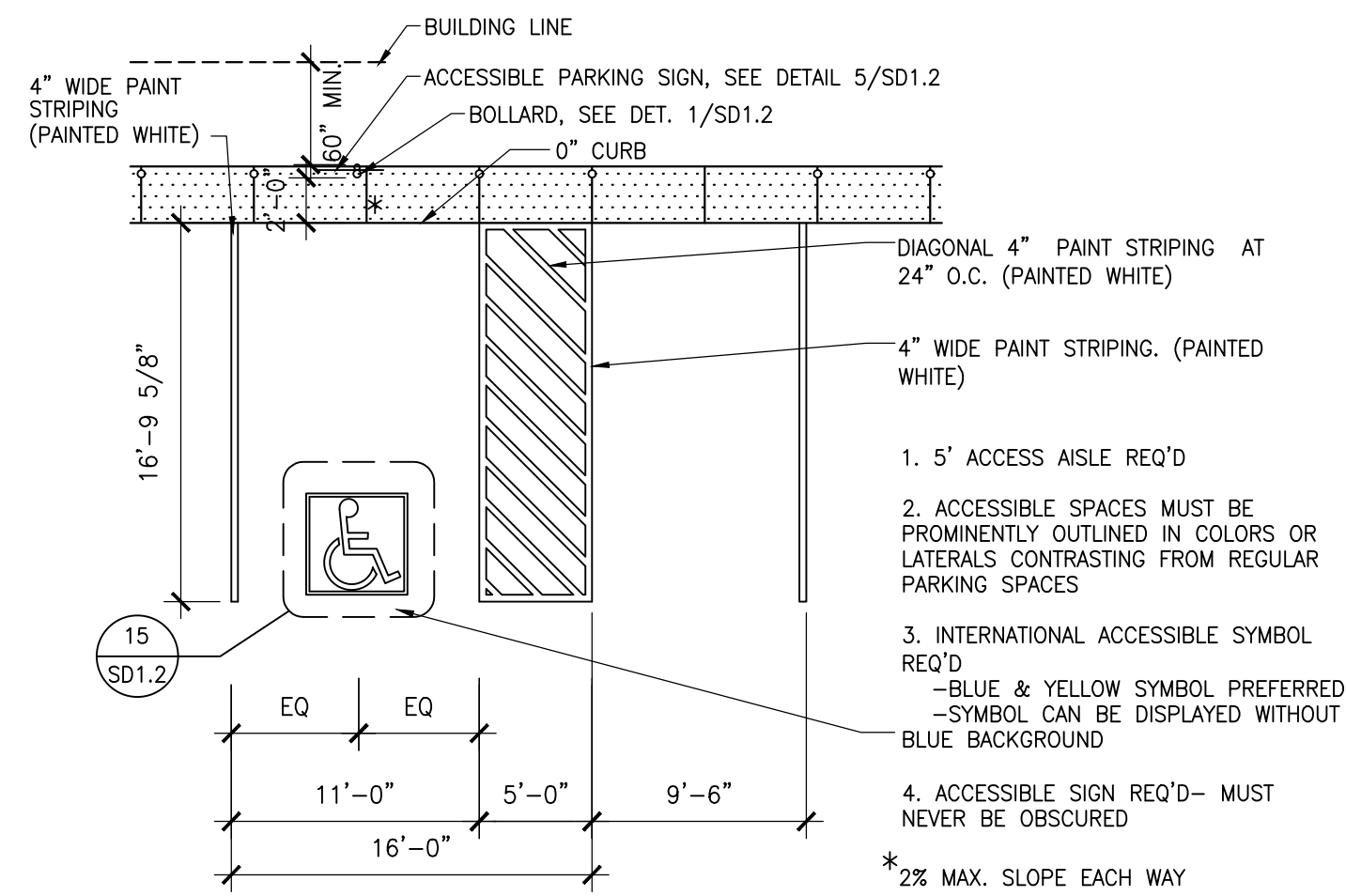
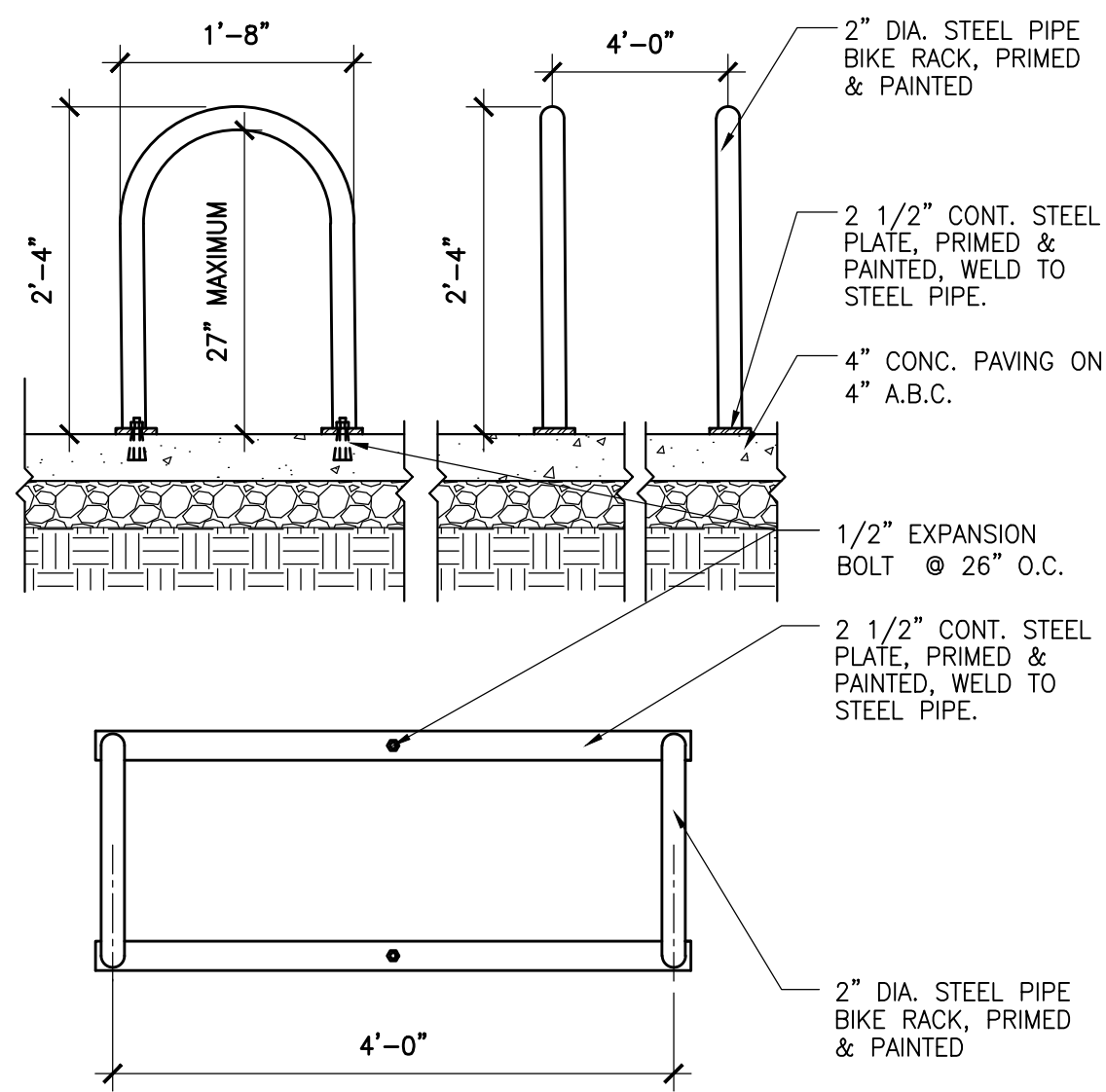


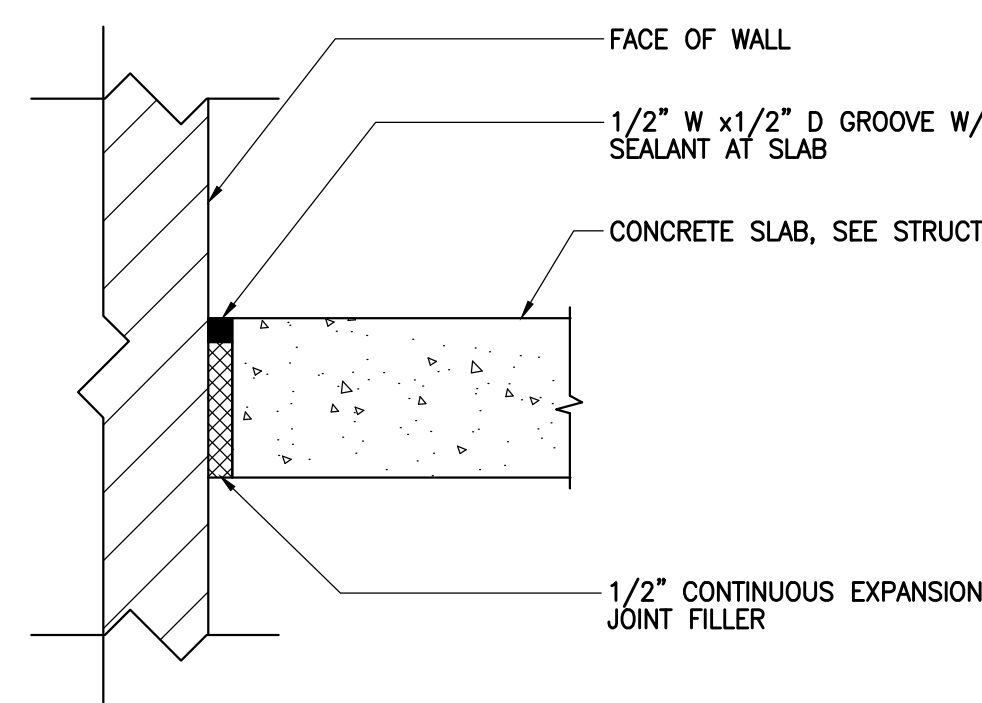
15 ACCESSIBLE PARKING SYMBOL
1/2"=1'-0"



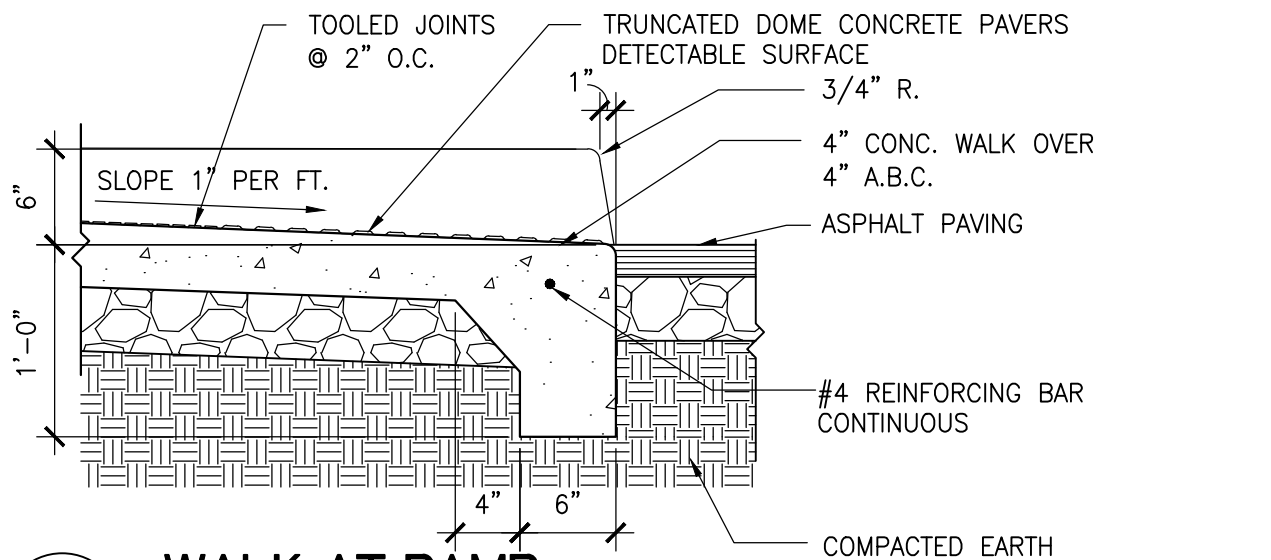
12 ACCESSIBLE PARKING STALL
1/8"=1'-0"



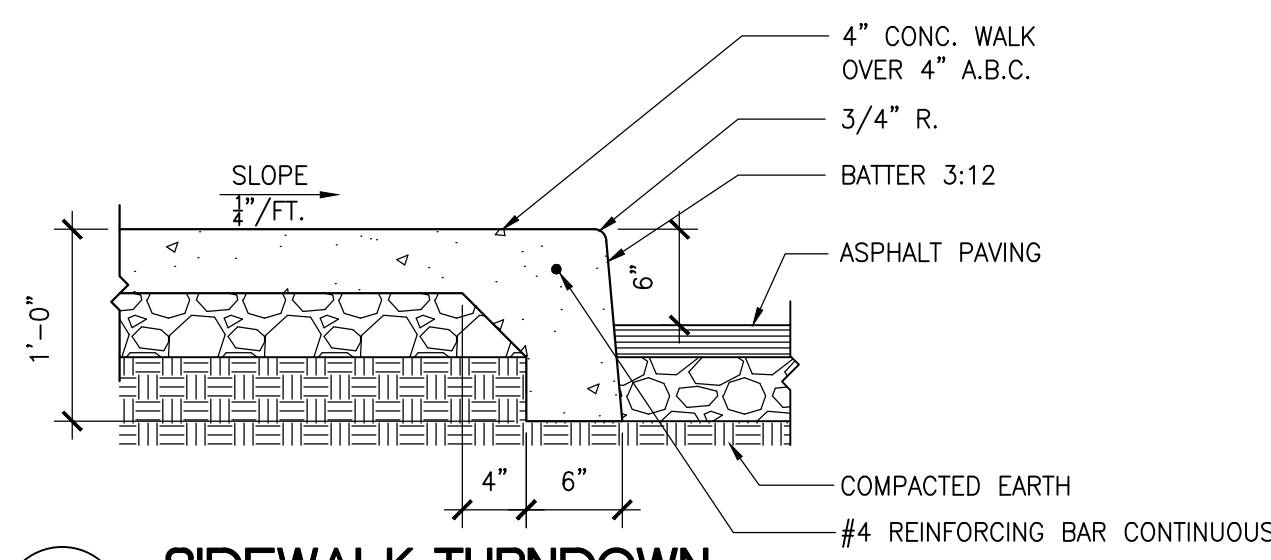
14 BIKE RACK DETAIL (TYPICAL OF 2)
3/4"=1'-0"



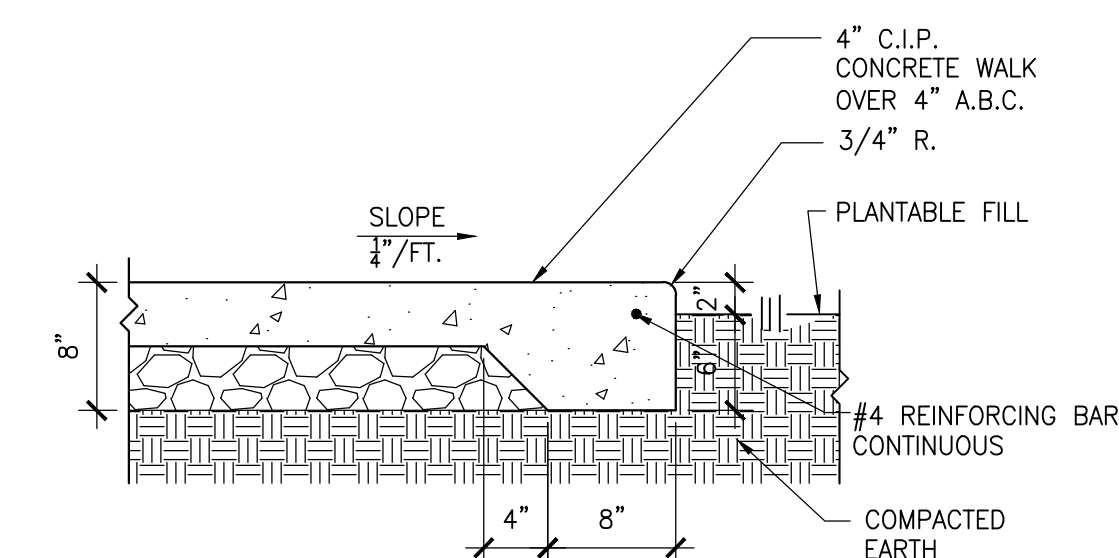
13 TYPICAL SLAB AT GRADE
3"=1'-0"



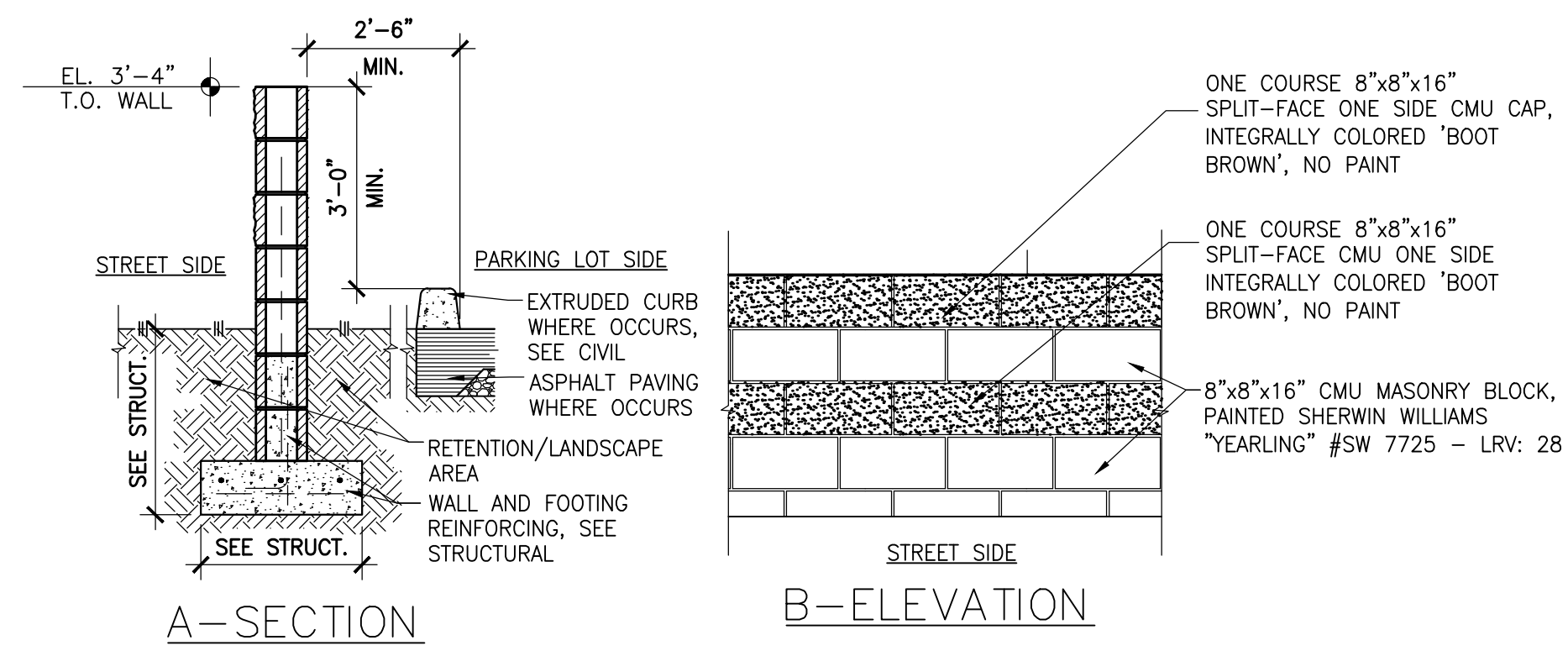
10 WALK AT RAMP
1"=1'-0"



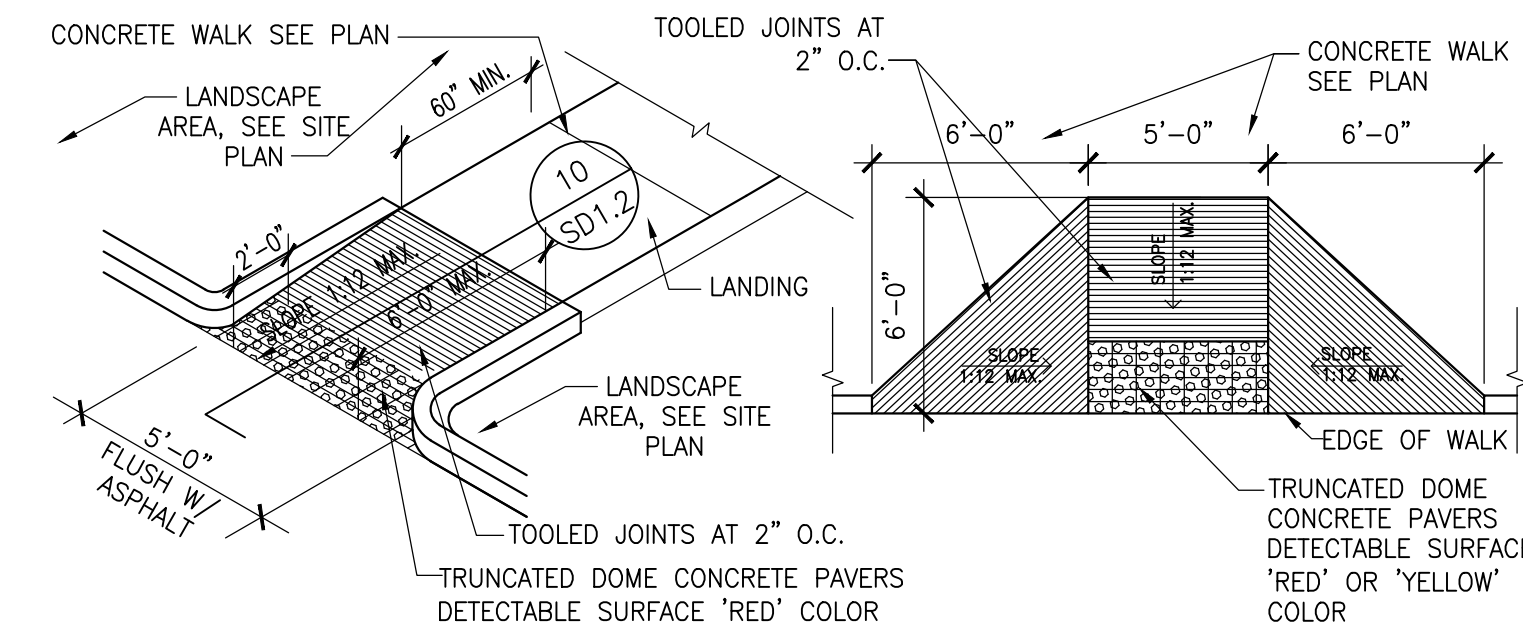
9 SIDEWALK TURNDOWN
1"=1'-0"



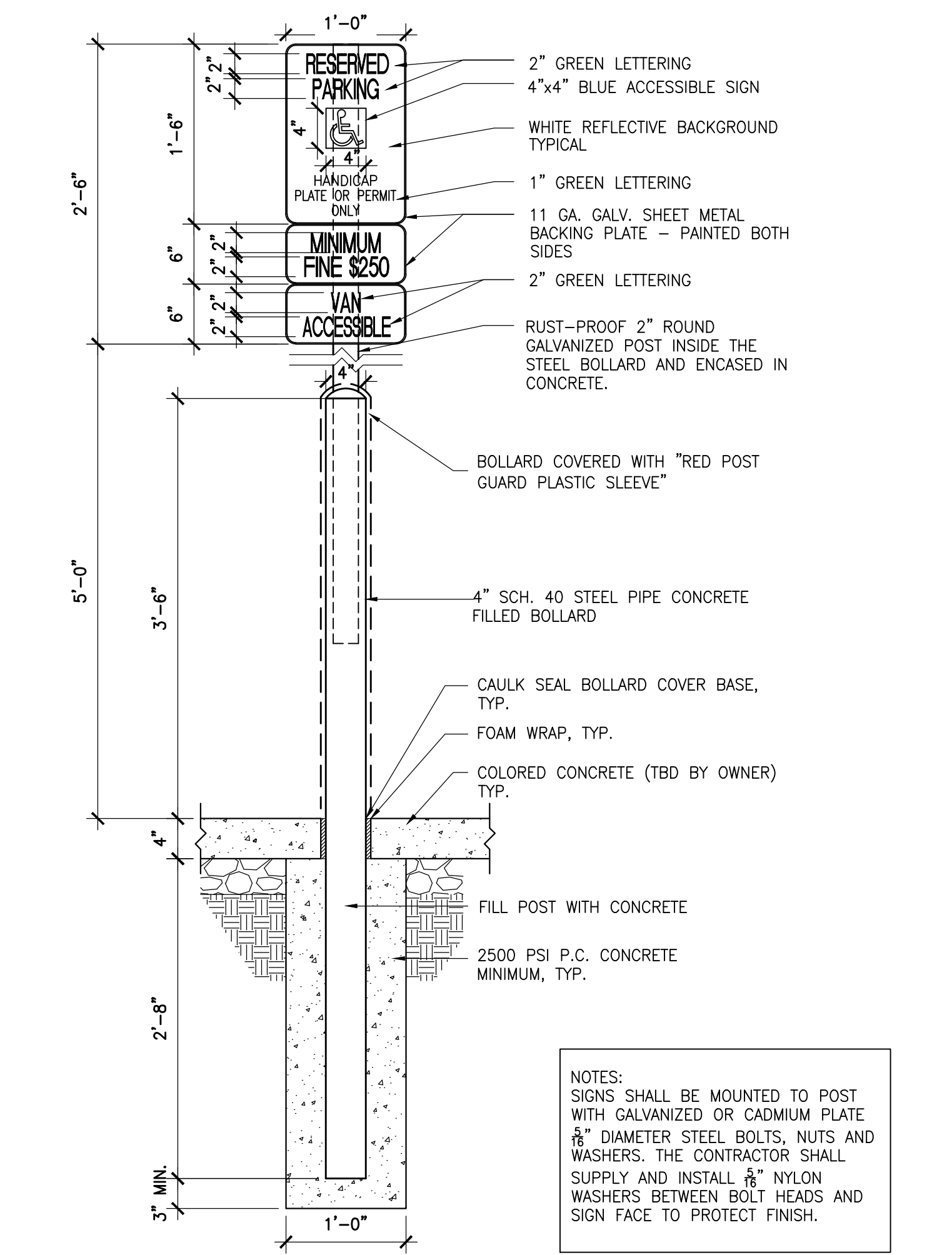
8 EDGE OF WALK AT PLANTER
1"=1'-0"



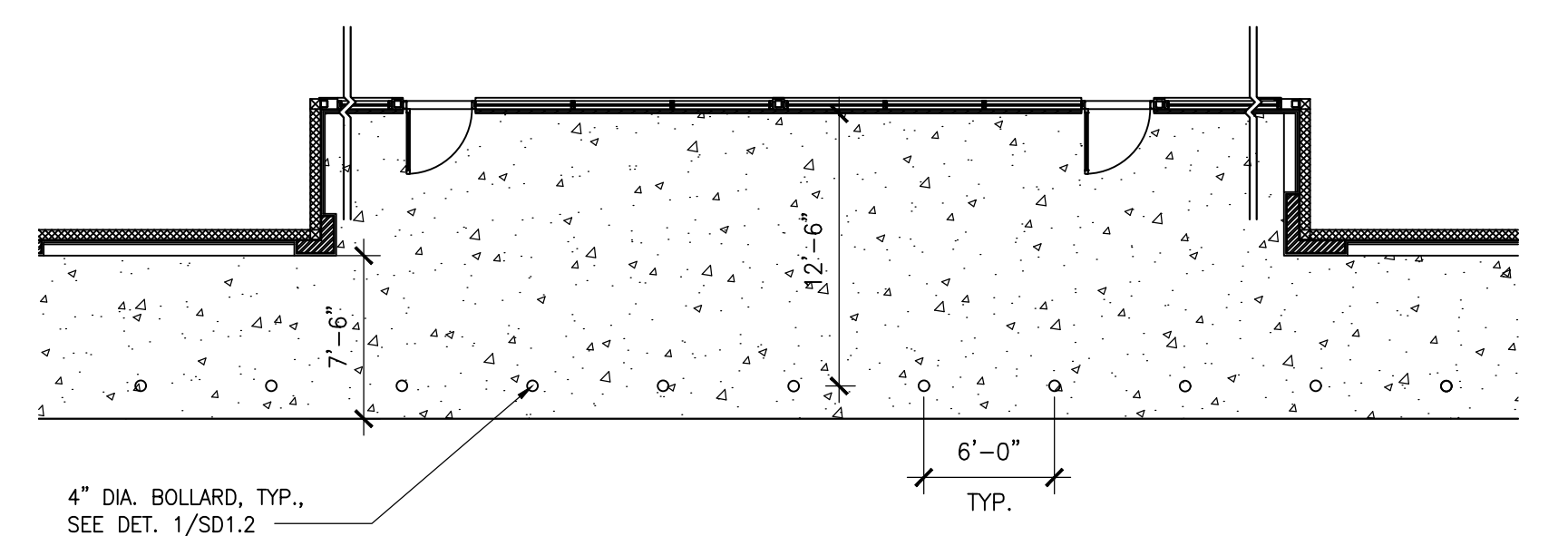
7 SCREEN WALL
1/2"=1'-0"



6 ACCESSIBLE RAMPS
3/16"=1'-0"

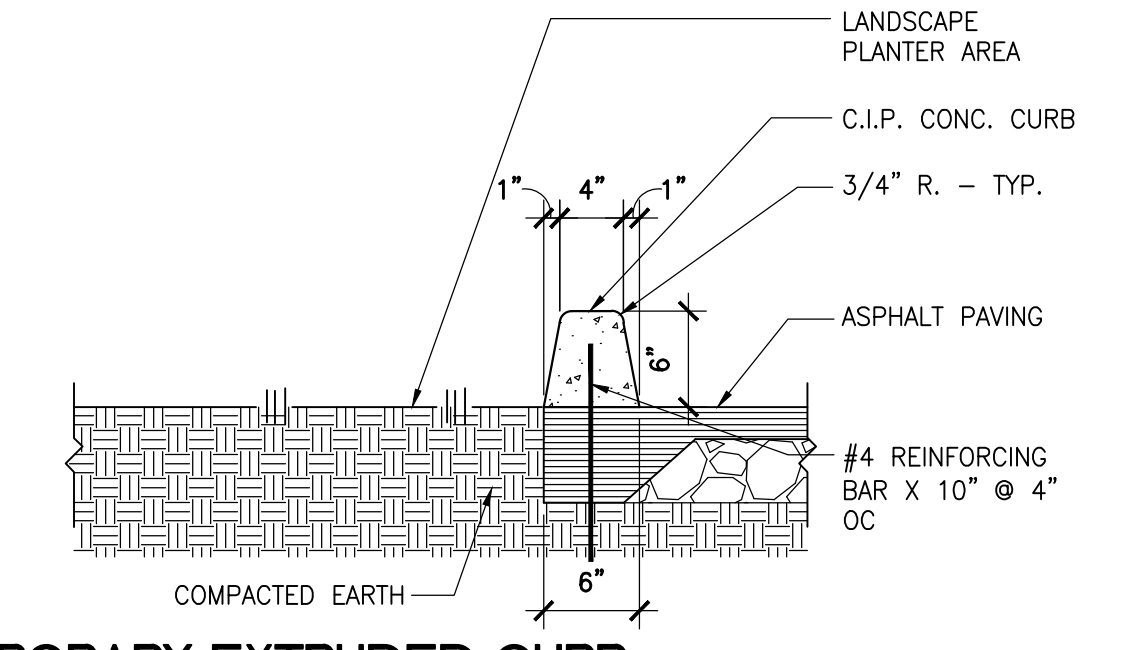


5 HANDICAP ACCESSIBLE SIGN
1"=1'-0"

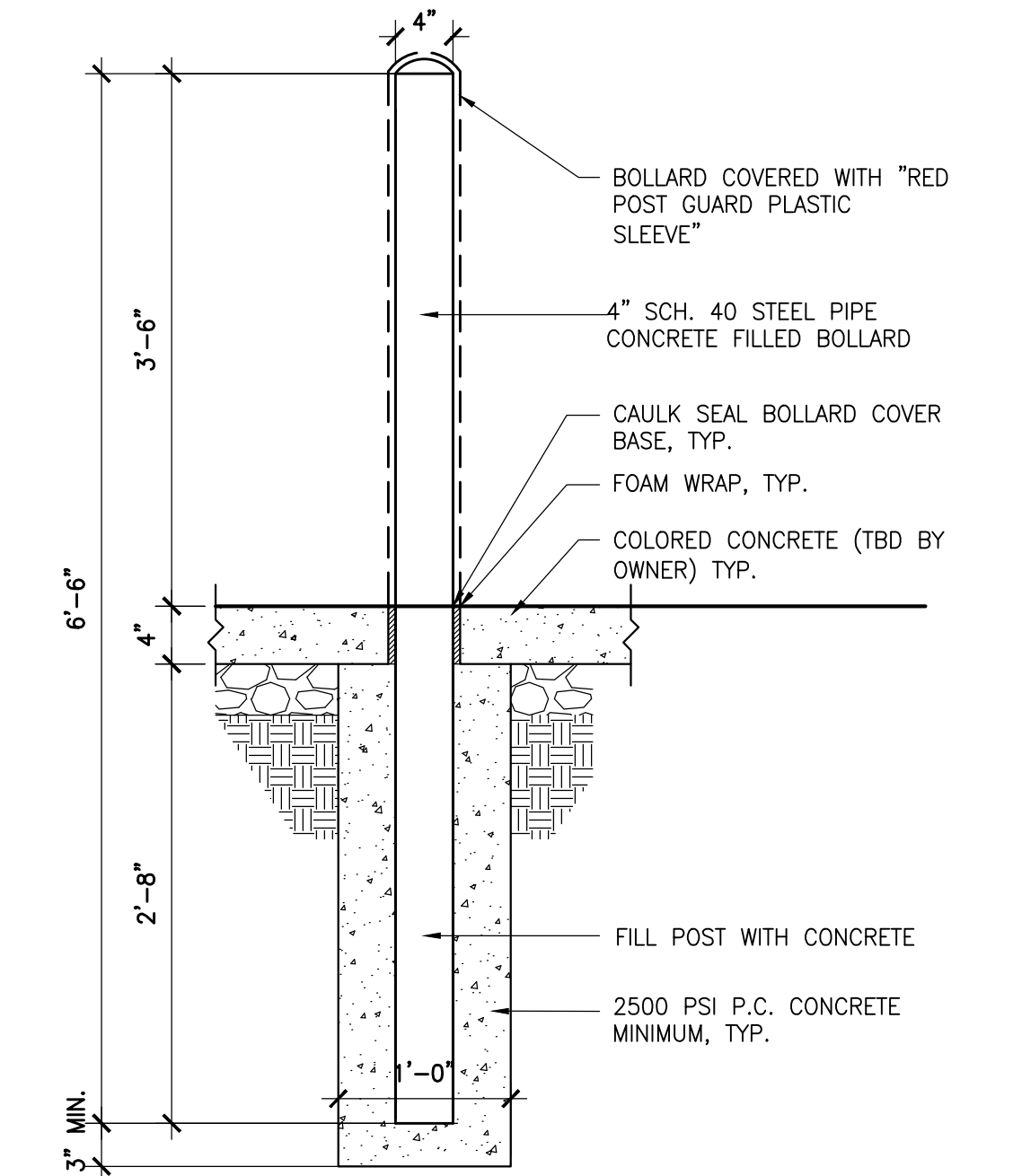


NOTE: EXPANSION JOINTS PER INDUSTRY STANDARD.

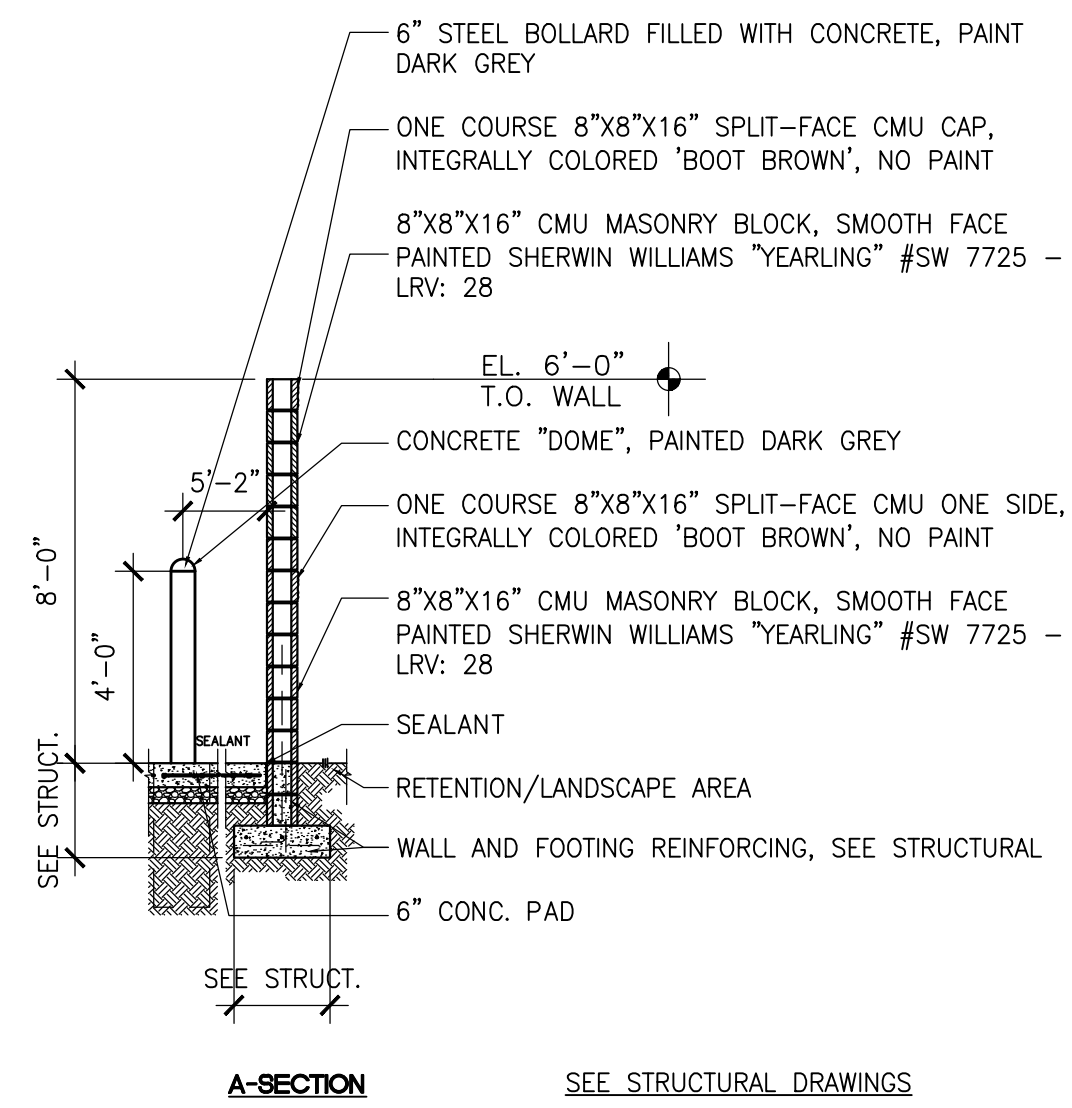
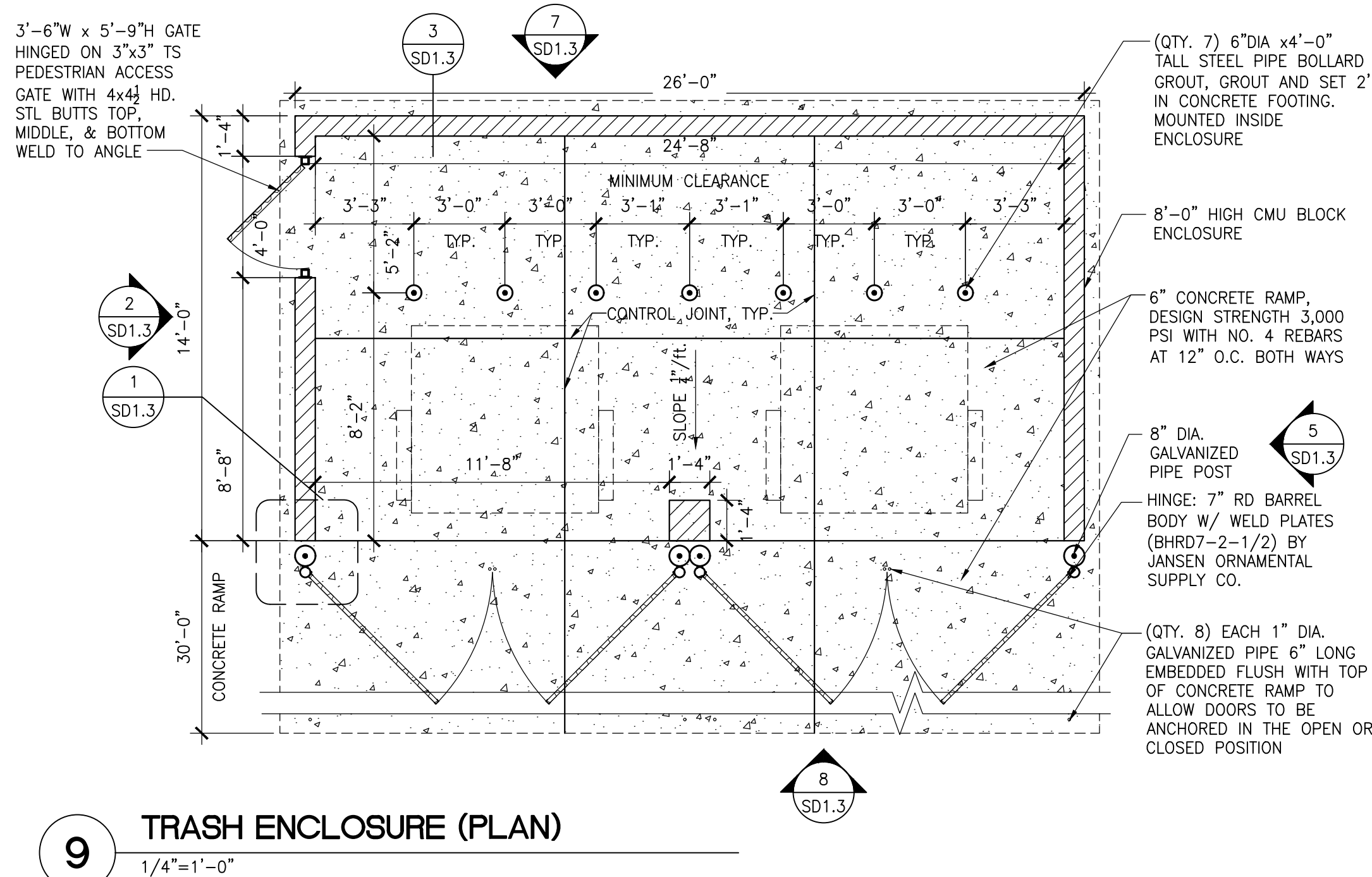
4 TYP. FRONT COLORED CONCRETE + BOLLARD
1/8"=1'-0"



2 TEMPORARY EXTRUDED CURB
1"=1'-0"

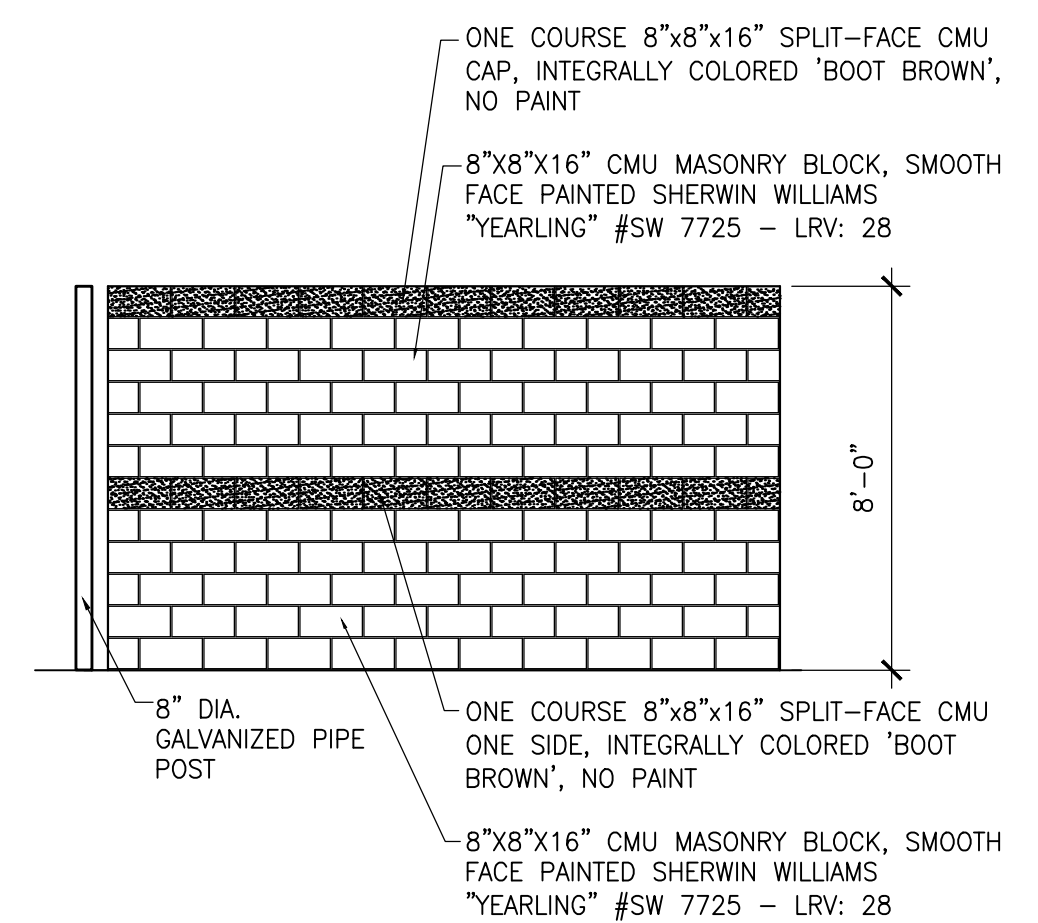
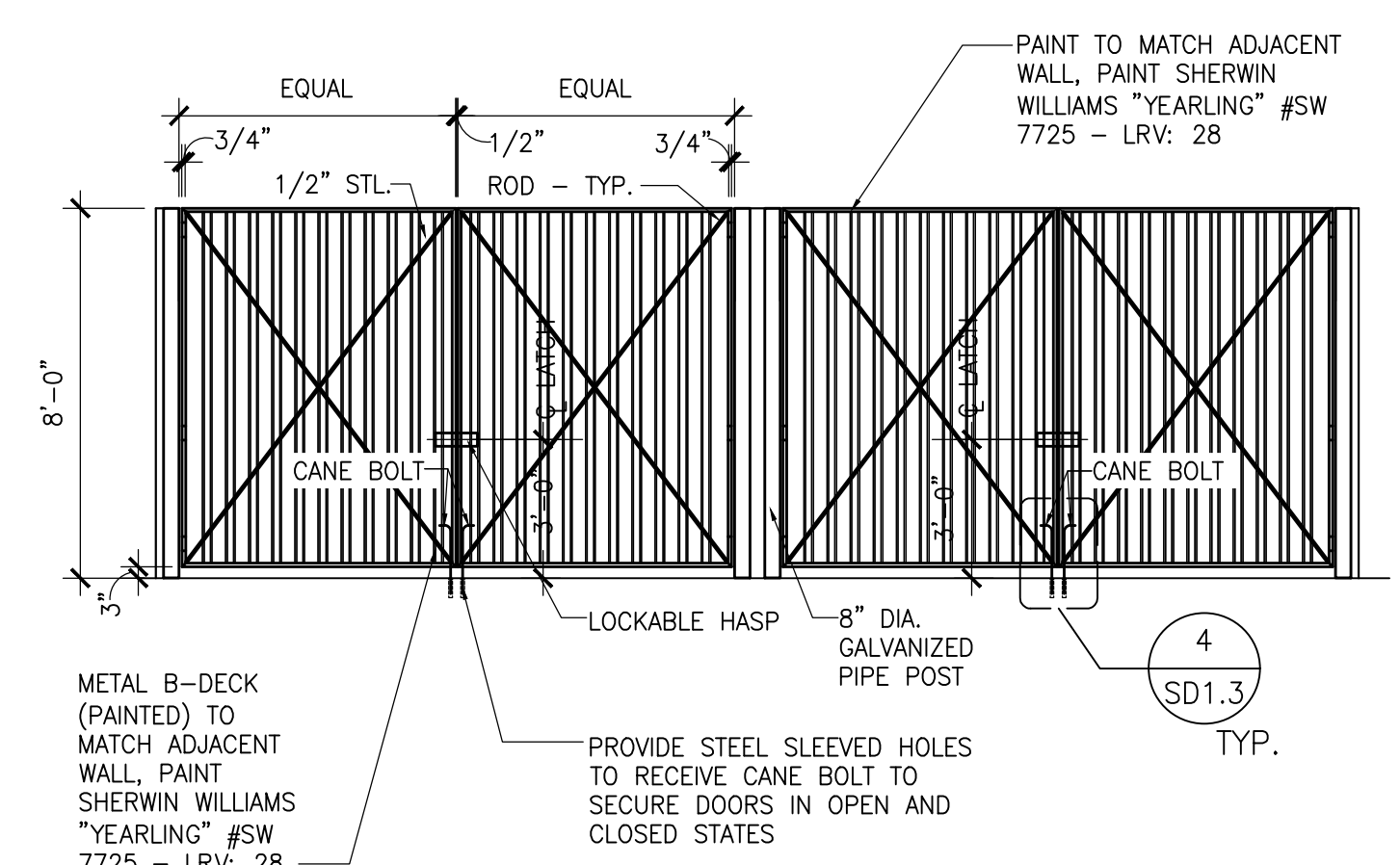


1 GUARD POST
1"=1'-0"



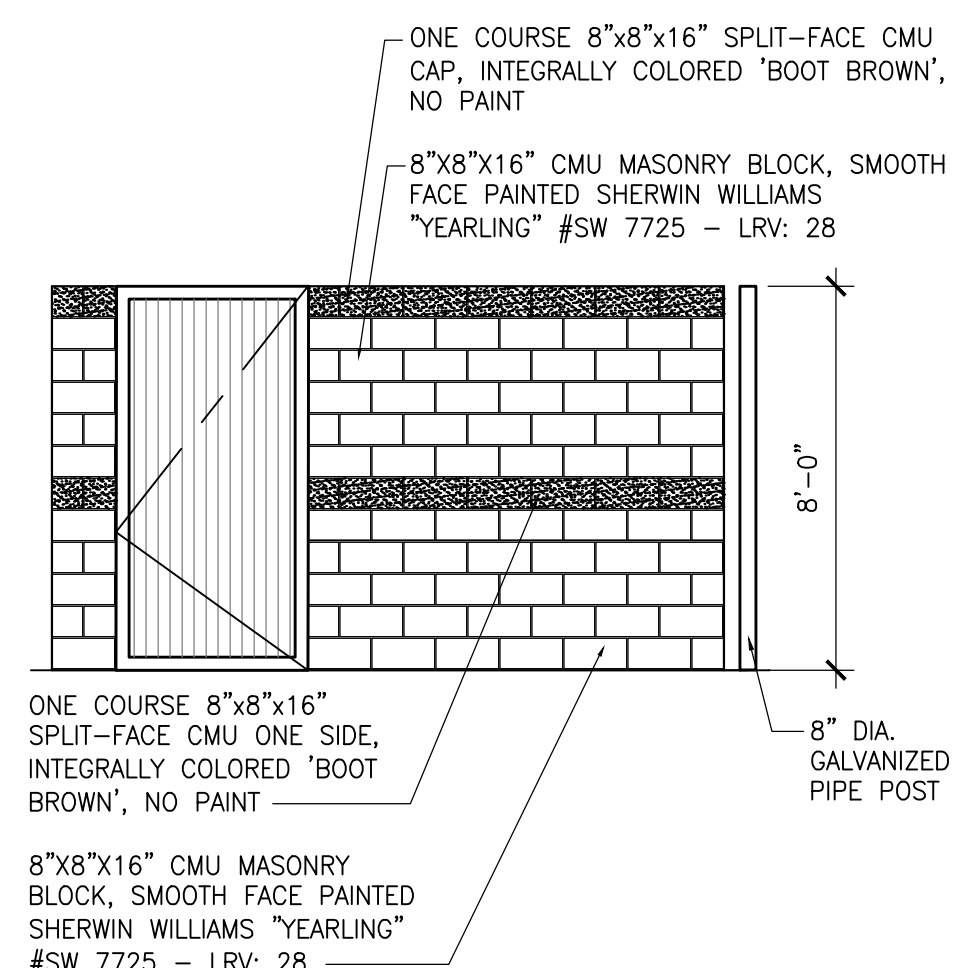
9 TRASH ENCLOSURE (PLAN)
1/4"=1'-0"

3 6'-0" TRASH ENCLOSURE
1/4"=1'-0"

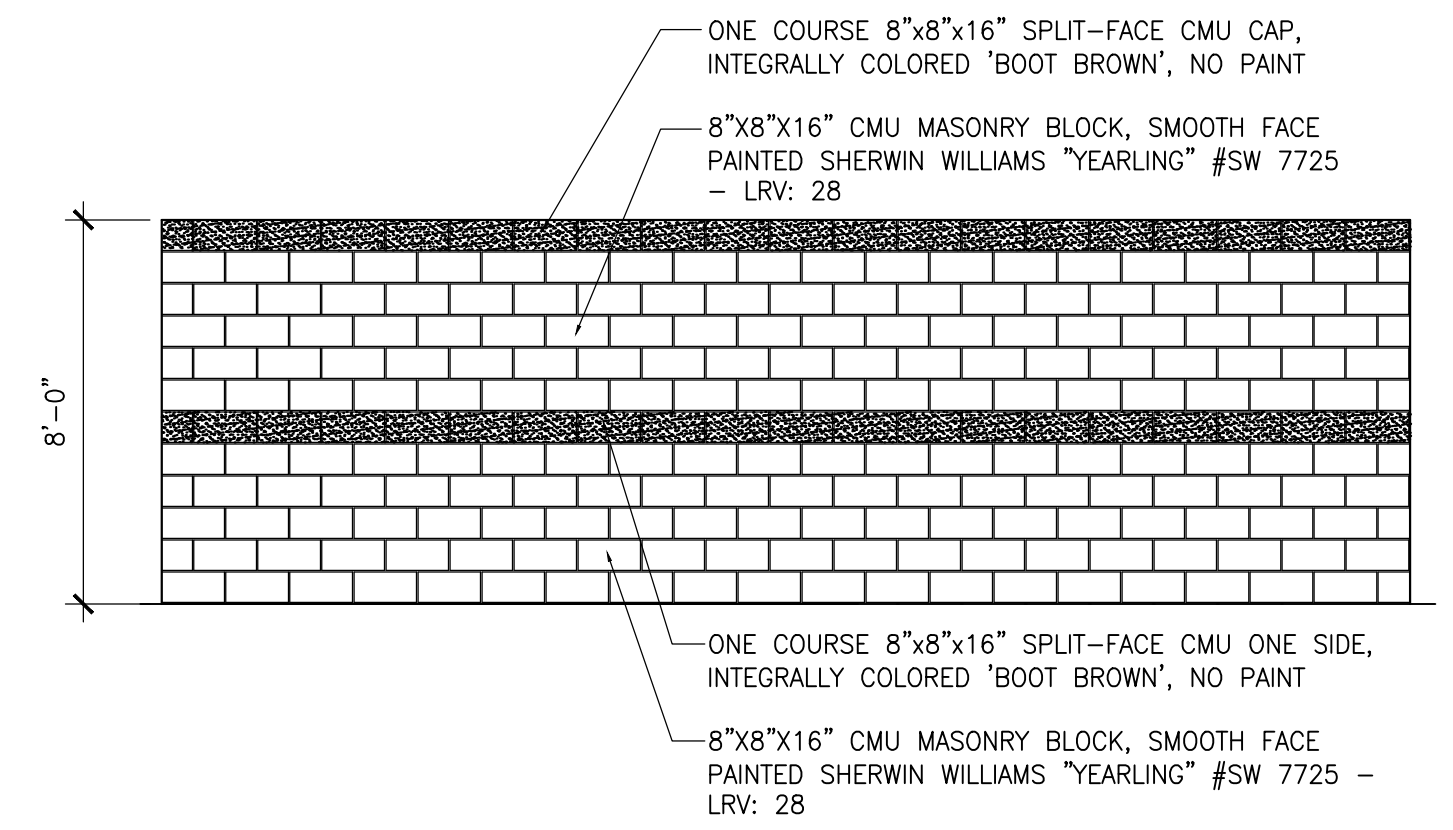


8 TRASH ENCLOSURE FRONT ELEVATION
1/4"=1'-0"

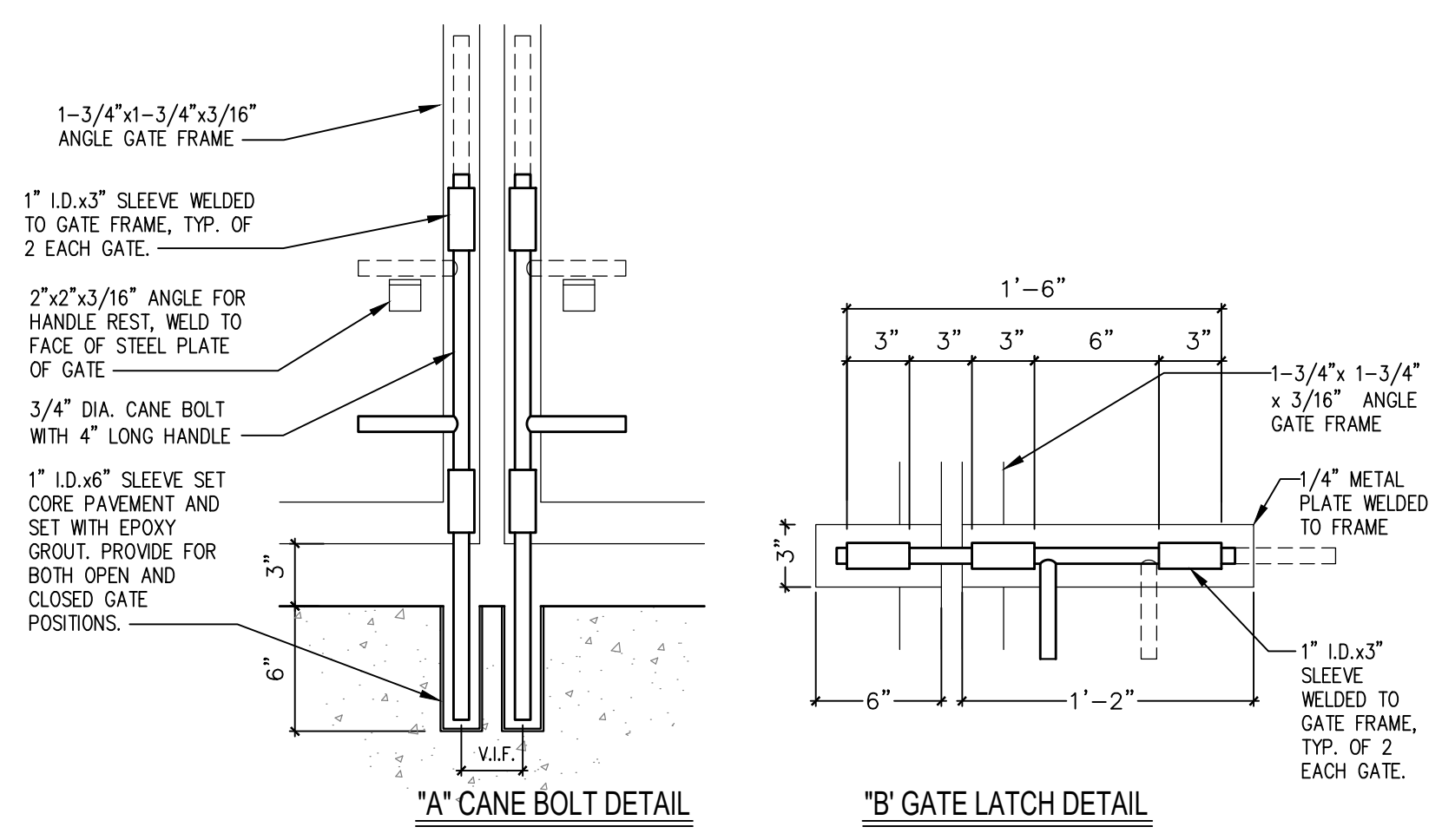
5 TRASH ENCLOSURE SIDE ELEVATION
1/4"=1'-0"



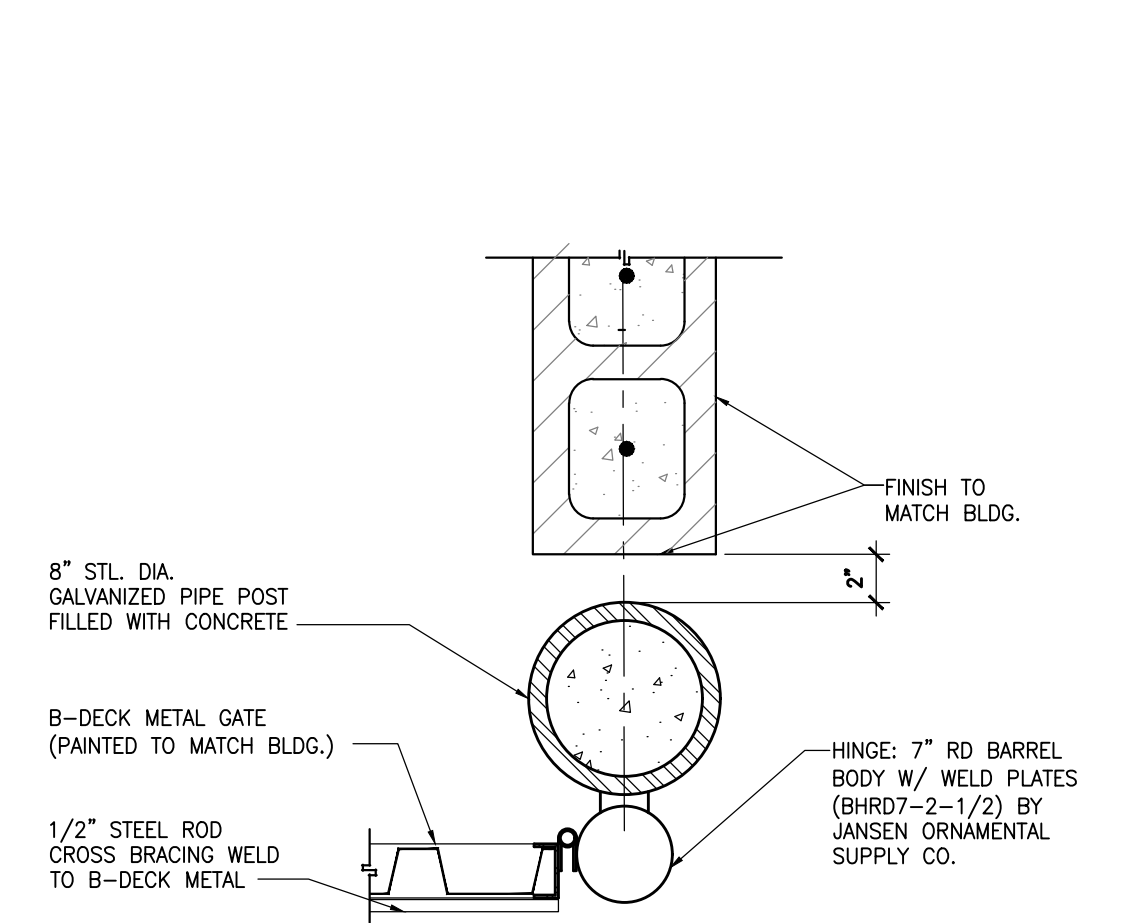
2 TRASH ENCLOSURE SIDE ELEVATION
1/4"=1'-0"



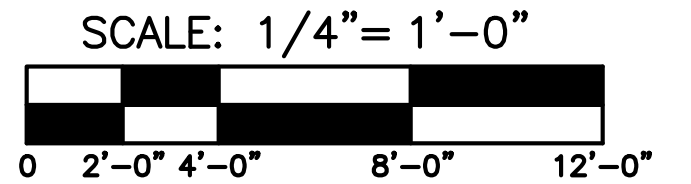
9 TRASH ENCLOSURE REAR ELEVATION
1/4"=1'-0"

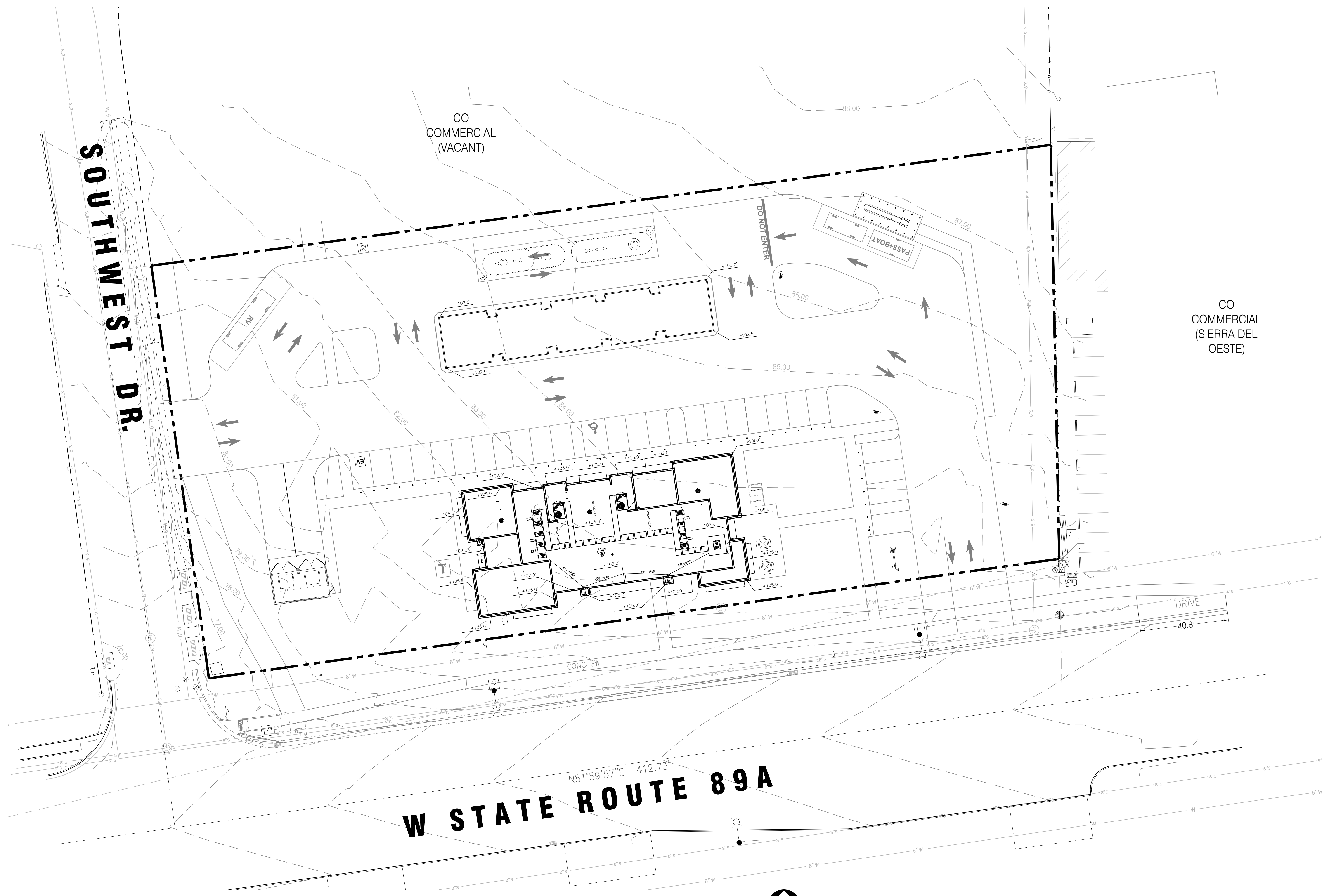


4 CANE BOLT DETAIL
N.T.S.



1 ENCLOSURE GATE HINGE
N.T.S.





SOUTHWEST DR.

CO
COMMERCIAL
(VACANT)

CO
COMMERCIAL
(SIERRA DEL
OESTE)

W STATE ROUTE 89A

N81°59'57"E 412.73'

1 BUILDING ROOF PLAN
SCALE: 1" = 20'-0"



SCALE: 1" = 20'
0 10' 20' 40' 60'